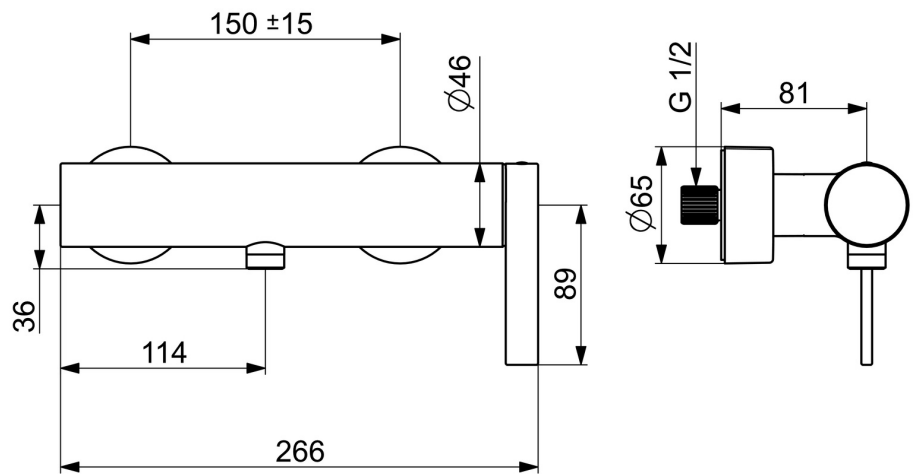
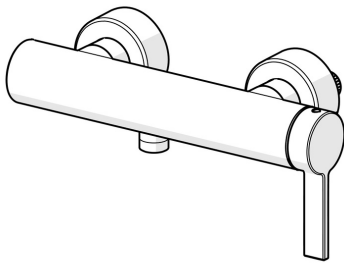


EAN: 4015474263369
static.hansa.com/57710173



- Shower solutions
- Single-lever, side operated
- Wall mounted
- Chrome
- Single operating lever/handle, Hot/Cold symbols
- Limitation option for maximum temperature and flow-rate, Adjustable hot water stop (included, retrofittable)
- Non-return valve(s), \varnothing 35 mm ceramic cartridge for flow and temperature control
- Eccentric coupling(s), Cover plate(s), Silencer(s)
- Inner body made of DZR brass
- protected against back-flow in domestic use (according to DIN EN 1717)



Technical data

Flow properties

Flow-rate at 3 bar **18.0 l/min**

Technical properties

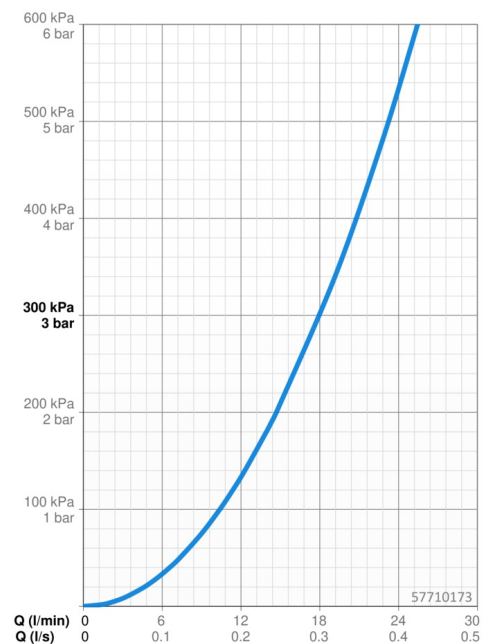
DN-size (nominal dimension) **DN15**
 Hot water supply **max. +80°C**
 Working pressure **0.5-10 bar**
 Connection size **G3/4**
 Installation width **150 ± 15 mm**
 Backflow prevention (EN1717) **EB**
 Material **Brass**

Regulations

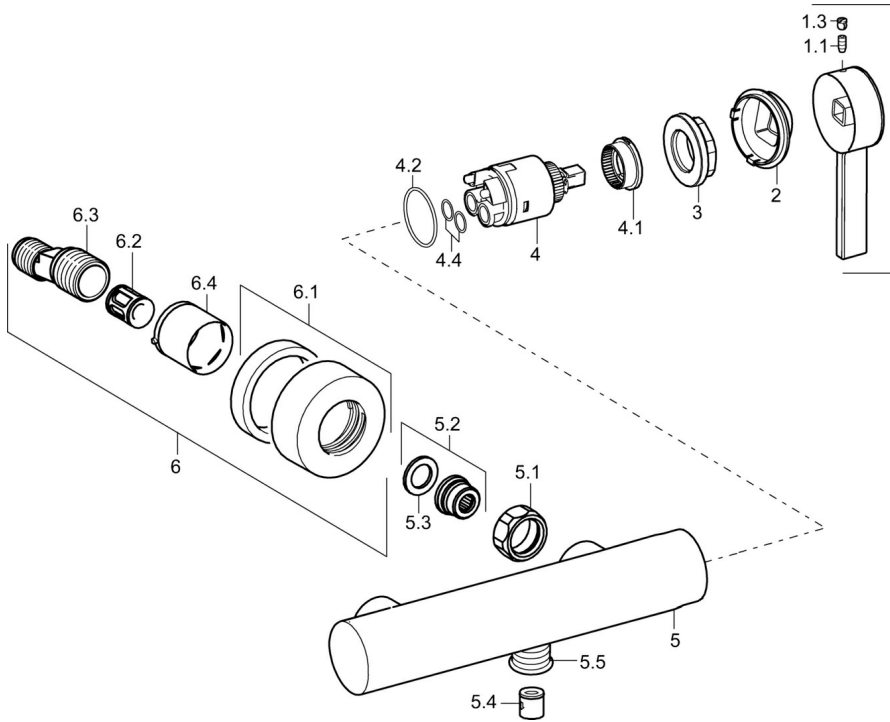
EN standard **EN 817**

Approvals and Declarations

Declaration of conformity **DoC**



Spare parts



SP57710173

	Name	Code
1	Lever Discontinued	59914018
1.1	Screw, M5x6, SW2.5	59912617
1.3	Cover plug	59913762
2	Covering cap	59914016
3	Screw, M4x2x1, SW3/4	59913365
4	Cartridge, 3.5 Eco	59912324
4	Cartridge, 3.5 Classic	59913075
4.1	Temperature adjustment limiter	59912325
4.2	O-ring, d 28.24x2.62 Discontinued	59912590
4.4	O-ring, d 10.10x1.60 Discontinued	59905072
5.1	Connection nut, G3/4, AF30	59902230
5.2	Connector	59913400
5.3	Retaining ring, 23.9x15.2x2	59902689
5.4	Non-return valve	59905714
5.5	Thread nipple, G1/2xM18x1	59911384
6.1	Cover flange	59913432
6.2	Silencer	59904792
6.3	Eccentric connector, G3/4xG1/2, DN15	59910254
6.4	Cover sleeve	59912651
N.I.	Key, SW30/34	59912108