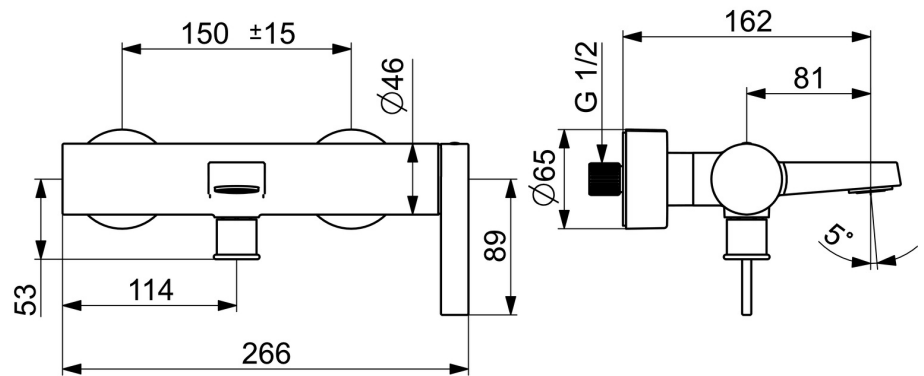
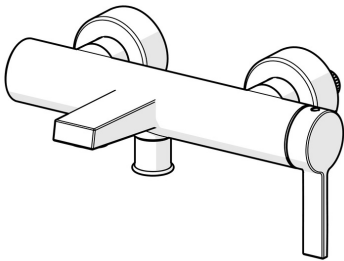


EAN: 4015474263376  
[static.hansa.com/57702103](https://static.hansa.com/57702103)



- Bathtub & Shower
- Single-lever, side operated
- Wall mounted
- Chrome
- Hidden aerator
- Single operating lever/handle, Hot/Cold symbols
- Pull operated diverter, Automatic reset
- Limitation option for maximum temperature and flow-rate, Adjustable hot water stop (included, retrofittable)
- Non-return valve(s),  $\phi$  35 mm ceramic cartridge for flow and temperature control
- Eccentric coupling(s), Cover plate(s), Silencer(s)
- Inner body made of DZR brass
- protected against back-flow in domestic use (according to DIN EN 1717)



## Technical data

### Flow properties

Flow-rate at 3 bar **20.4 / 19.2 l/min**

### Technical properties

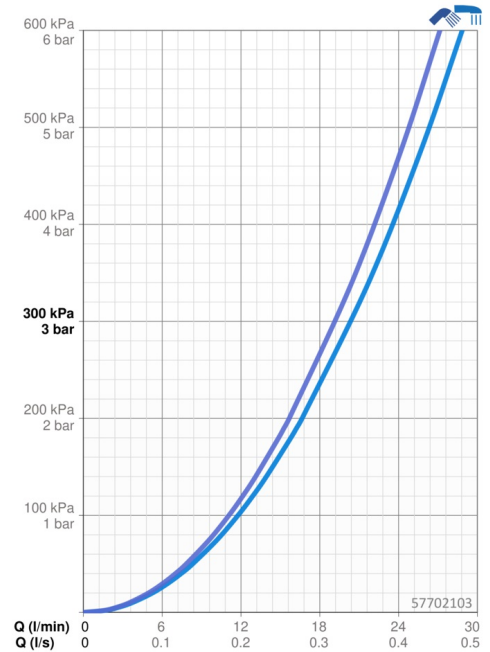
DN-size (nominal dimension) **DN15**  
 Hot water supply **max. +80°C**  
 Working pressure **0.5-10 bar**  
 Connection size **G3/4**  
 Installation width **150 ± 15 mm**  
 Projection **162 mm**  
 Backflow prevention (EN1717) **EB**  
 Material **Brass**

### Regulations

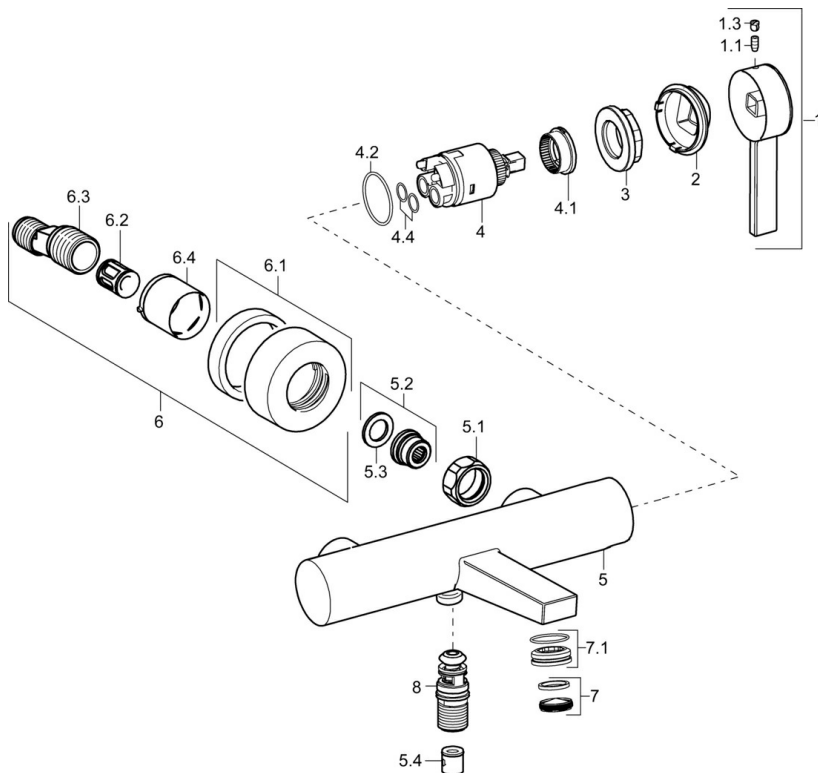
EN standard **EN 817**

### Approvals and Declarations

Declaration of conformity **DoC**



## Spare parts



### SP57702103

	Name	Code
1	Lever Discontinued	59914018
1.1	Screw, M5x6, SW2.5	59912617
1.3	Cover plug	59913762
2	Covering cap	59914016
3	Screw, M4x1, SW34	59913365
4	Cartridge, 3.5 Eco	59912324
4	Cartridge, 3.5 Classic	59913075
4.1	Temperature adjustment limiter	59912325
4.2	O-ring, d 28.24x2.62 Discontinued	59912590
4.3	O-ring, d 10.10x1.60 Discontinued	59905072
5.1	Connection nut, G3/4, AF30	59902230
5.2	Connector	59913400
5.3	Retaining ring, 23.9x15.2x2	59902689
5.4	Non-return valve	59905714
6.1	Cover flange	59913432
6.2	Silencer	59904792
6.3	Eccentric connector, G3/4xG1/2, DN15	59910254
6.4	Cover sleeve	59912651
7	Aerator, M24x1	59913132
7.1	Fitting ring for aerator	59914007
8	Diverter	59913101