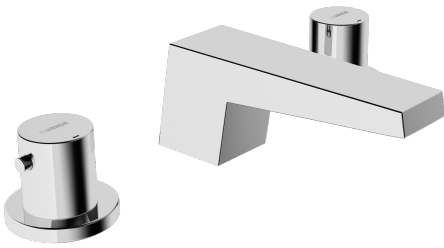
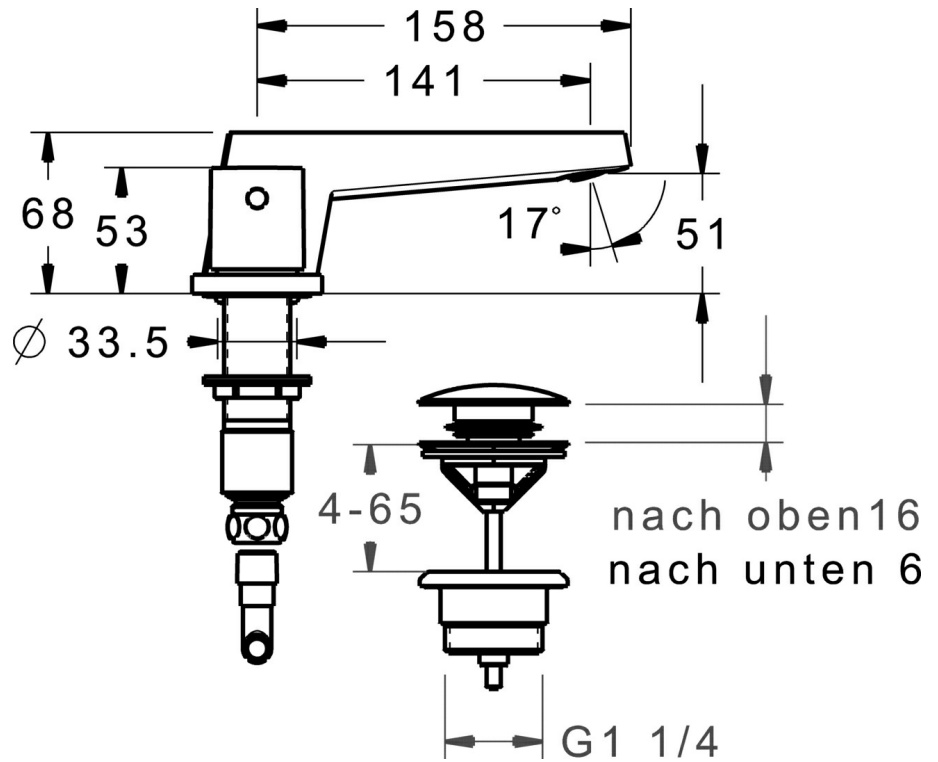
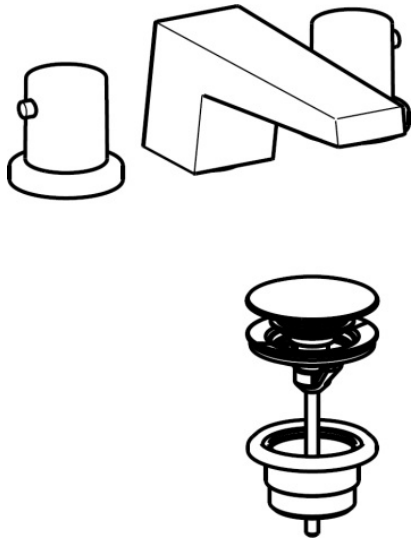


EAN: 4015474263338  
[static.hansa.com/57682103](http://static.hansa.com/57682103)



- Washbasin
- Two-grip
- Deck mounted
- Chrome
- Fixed spout
- Adjustable flow angle, Hidden aerator
- Hot/Cold symbols, Two operating levers/handles
- Push pop-up waste without draw-rod
- Ceramic head part for flow control
- Inner body made of DZR brass



## Technical data

### Flow properties

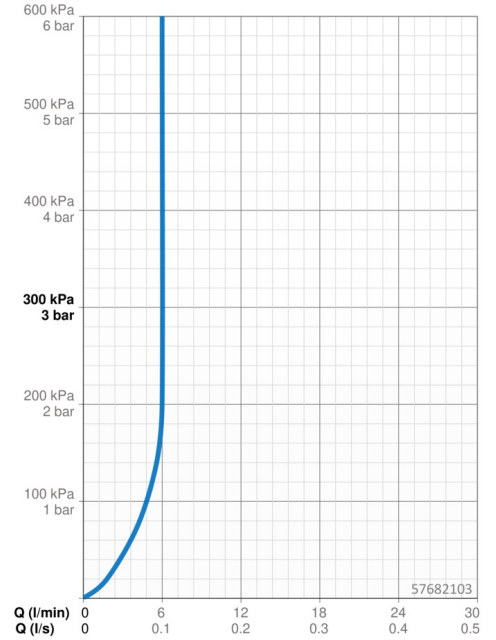
Flow-rate at 3 bar (with flow controller) **6.0 l/min**

### Technical properties

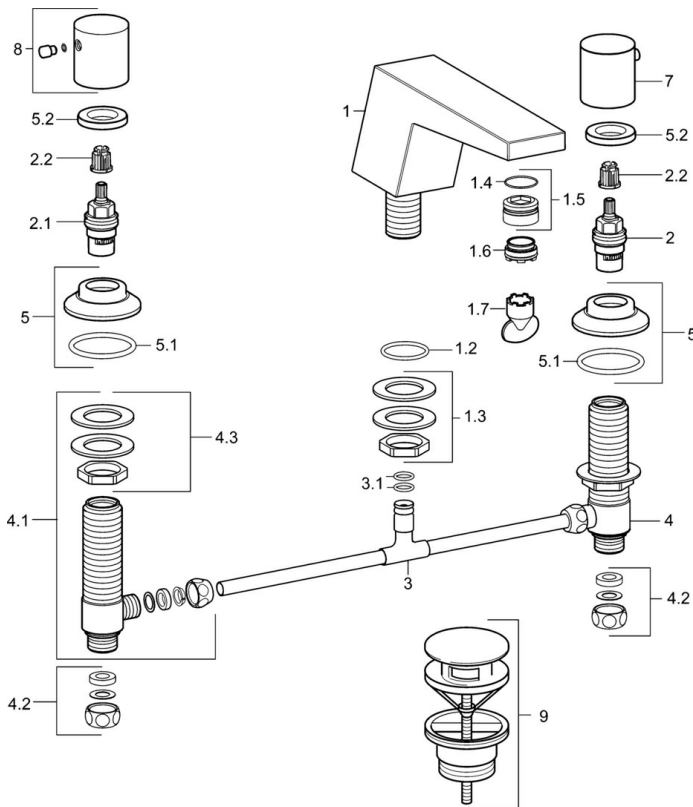
DN-size (nominal dimension) **DN15**  
 Hot water supply **max. +80°C**  
 Working pressure **0.5-10 bar**  
 Projection **141 mm**  
 Material **Brass**

### Regulations

EN standard **EN 200**



## Spare parts



### SP57682103

Name	Code
1.2 O-ring, d 36.09x d 3.53	59913396
1.3 Fixing nut kit	59910705
1.5 Fitting ring for aerator	59914007
1.6 Aerator, M24x1 HC SSR-STD	59914015
1.7 Key for aerator, SLIM AIR	59914013
2 Headpart, G1/2	59913457
2.1 Headpart, G1/2, SW17	59913224
2.2 Adapter White	59910235
3 T-connector	59910687
3.1 O-ring, d 11x2 Discontinued	59910686
4 Valve, G1/2xG1/2 Discontinued	59913453
4.1 Valve, G1/2xG1/2 Discontinued	59913455
4.2 Sealing kit Discontinued	59910707
4.3 Screw sleeve Discontinued	59913454
5 Cover flange, d 55 mm Discontinued	59913731
5.2 Tightening nut, d35.5xM24x1	59912023
7 Handle, COLD	59913337
8 Handle, HOT	59913336
9 Rapid pop-up waste	59913988