

EAN: 4057304015366
static.hansa.com/57670173

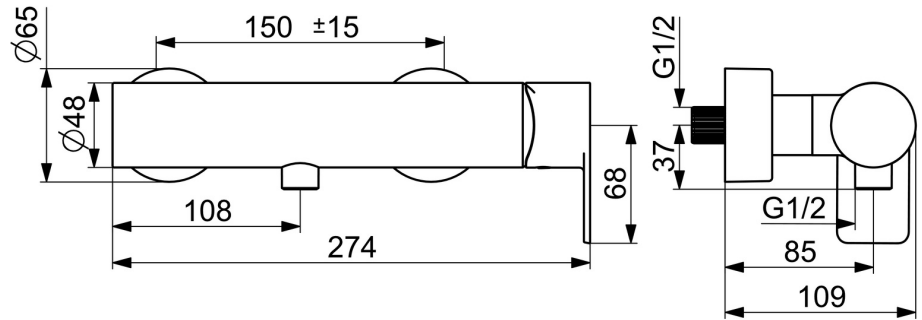
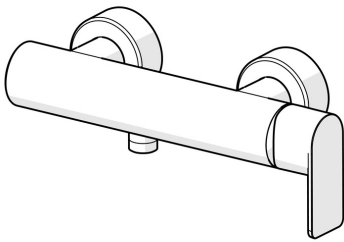


Edgy designed combined with a sleek modern look, making this shower faucet the perfect addition to any shower area.

With focus on high performance while still have and eye on the aesthetics and details to secure an elegant installation. This wall-mounted faucet features a chrome surface treatment and a side-operated design for ease of use. The single-operating handle with hot and cold symbols allows for easy temperature control. Plus, the inner body is made of corrosion resistant brass for durability.

Upgrade your bathroom with this timeless elegance for any bathroom design.

- Shower solutions
- Single-lever, side operated
- Wall mounted
- Chrome
- Single operating lever/handle, Hot/Cold symbols
- Limitation option for maximum temperature and flow-rate
- ϕ 40 mm ceramic cartridge for flow and temperature control, Non-return valve(s)
- Eccentric coupling(s)
- Inner body made of DZR brass



Technical data

Flow properties

Flow-rate at 3 bar **12.6 l/min**

Technical properties

Hot water supply **max. +80°C**
 Working pressure **0.5-10 bar**
 Connection size **G1/2**
 Installation width **150 ± 15 mm**
 Backflow prevention (EN1717) **EB**
 Material **Brass**

Regulations

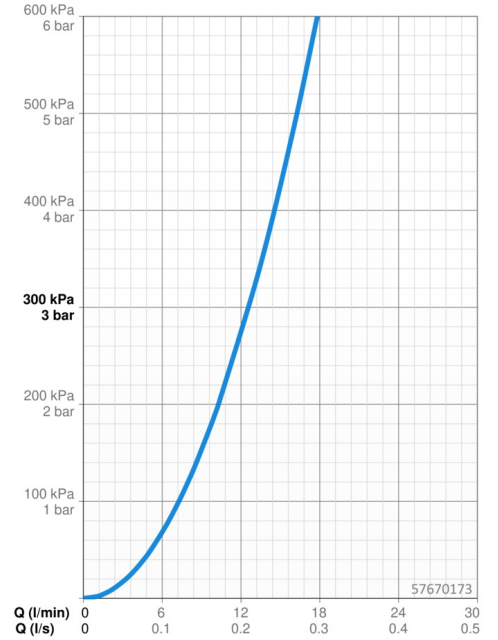
EN standard **EN 817**
 Noise class **I (ISO 3822)**

Approvals and Declarations

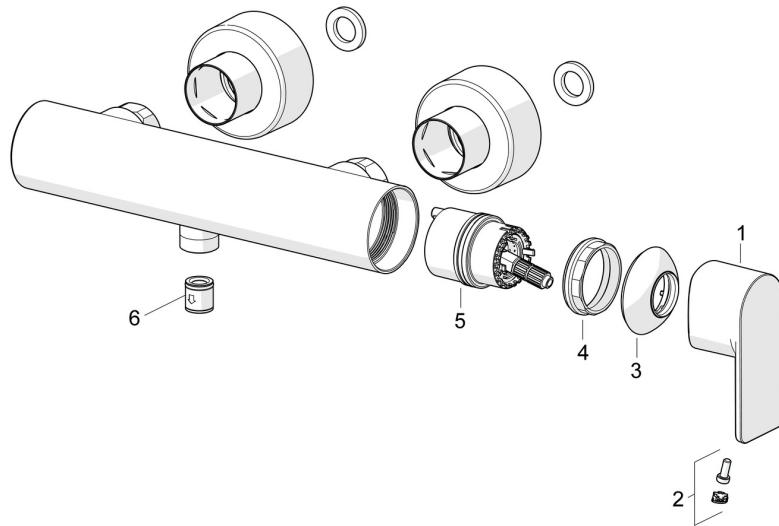
ABP **PA-IX 38027/IB**
 Declaration of conformity **DoC**
 EPD **S-P-06397**

Sustainability

EPD module A1 (kg CO2 eq.) **9,63**
 EPD module A2 (kg CO2 eq.) **0,45**
 EPD module A3 (kg CO2 eq.) **1,11**
 EPD module A1-A3 (kg CO2 eq.) **11,18**
 EPD module A4 (kg CO2 eq.) **0,40**
 EPD module B7 (kg CO2 eq.) **2215,50**
 EPD module C2 (kg CO2 eq.) **0,02**
 EPD module C3 (kg CO2 eq.) **0,02**
 EPD module C4 (kg CO2 eq.) **0,80**
 EPD module D (kg CO2 eq.) **-7,10**



Spare parts



SP57670173

	Name	Code
01	Lever	1009774V
02	Symbol plug	59914573
03	Covering cap	59914649
04	Tightening nut, M42x1.5, SW 38	59914128
05	Cartridge	59914665
06	Non-return valve	59905714