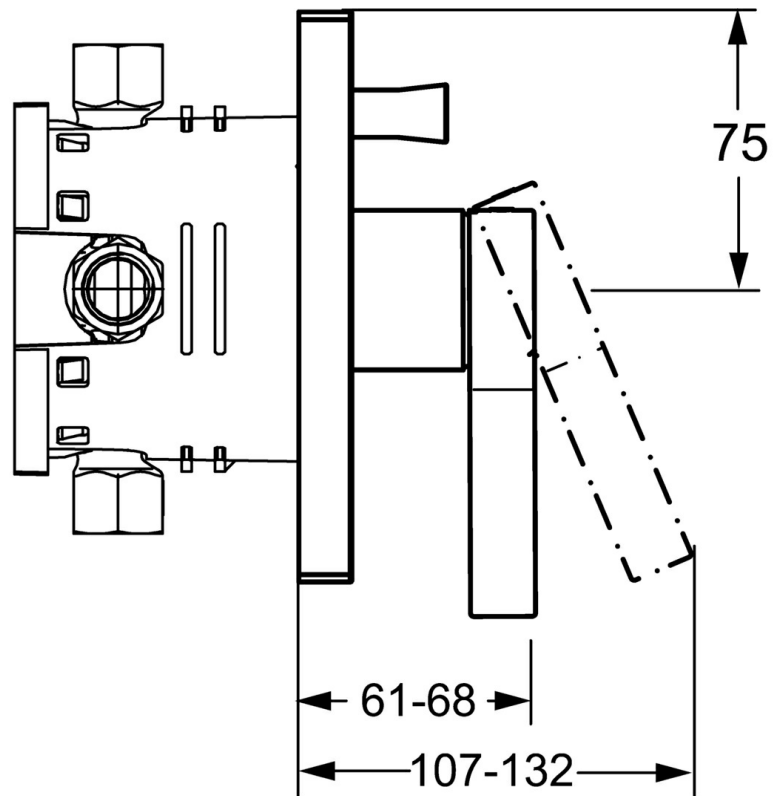


EAN: 4015474262232
static.hansa.com/57603003



- Bathtub & Shower
- Single-lever, Trim Kit
- Concealed wall mounting
- Chrome
- Single operating lever/handle, Hot/Cold symbols
- Non-return valve(s)
- Square rosette



Technical data

Flow properties

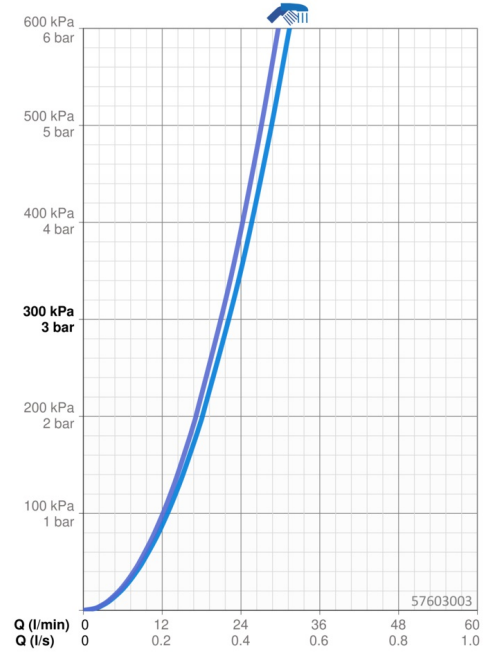
Flow-rate at 3 bar **22.2 / 21.0 l/min**

Technical properties

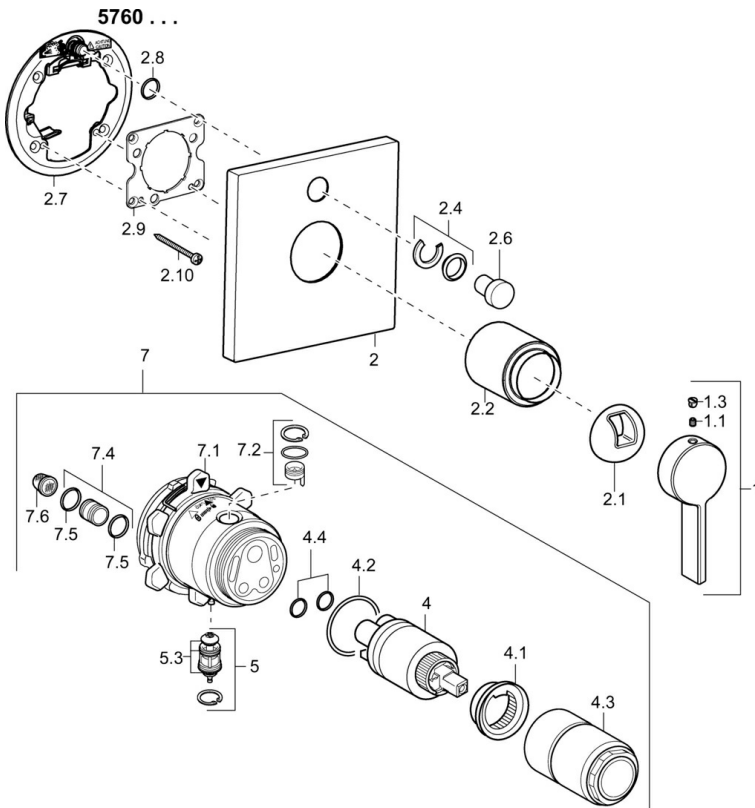
DN-size (nominal dimension) **DN15**
 Hot water supply **max. +80°C**
 Working pressure **0.5-10 bar**
 Backflow prevention (EN1717) **LB**

Regulations

EN standard **EN 817**



Spare parts



SP57603003

	Name	Code
1	Lever	59914017
1.1	Screw, M5x6, SW2.5	59912617
1.3	Cover plug	59913762
2	Cover plate, 150x150	59913377
2.1	Covering cap	59914016
2.2	Cover sleeve	59913375
2.4	Flow limiting cap	59912924
2.6	Push button Discontinued	59912925
2.7	Supporting plate	59913378
2.8	O-ring, d 7.65x1.78	59902337
2.9	Fixing plate	59913034
2.10	Screw, M4,5x80	59912890
3.1	Connection nipple, (2014-)	59913885
4	Cartridge, 3.5 Eco	59912324
4	Cartridge, 3.5 Classic	59913075
4.1	Temperature adjustment limiter	59912325
4.2	O-ring, d 28.24x2.62 Discontinued	59912590
4.3	Screw sleeve, M38x1	59912115
4.4	O-ring, d 10.10x1.60 Discontinued	59905072
5	Diverter	59912985
5.3	Sealing kit Discontinued	59912997
7	Functional unit, H/C reversed	59912978
7	Functional unit, 3.5 Discontinued	59913379
7.1	Blind nut	59912984
7.2	Valve	59912986
7.4	Connection nipple, (2014-)	59913885
7.5	O-ring, d 14x2	59912982
7.6	Strainer	59913126
N.I.	Raising kit, 20 mm	59912754