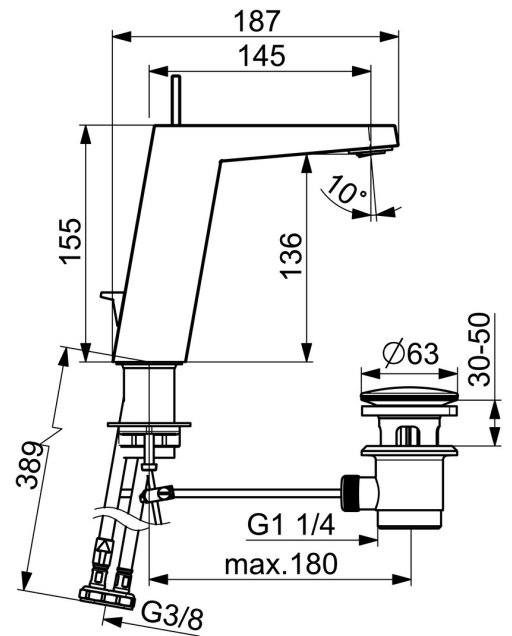
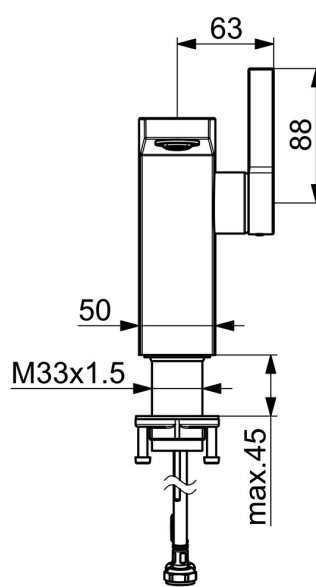
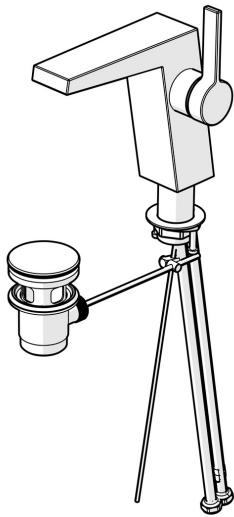


EAN: 4015474262058  
[static.hansa.com/57552203](https://static.hansa.com/57552203)



- Washbasin
- Single-lever, side operated
- Deck mounted
- Chrome
- Fixed spout
- Adjustable flow angle, Hidden aerator
- Hot/Cold symbols, Single operating lever/handle
- Pop-up waste with draw-rod
- $\varnothing$  25 mm ceramic cartridge for flow and temperature control
- Flexible inlet pipes
- Inner body made of DZR brass



## Technical data

### Flow properties

Flow-rate at 3 bar (with flow controller) **6.0 l/min**

### Technical properties

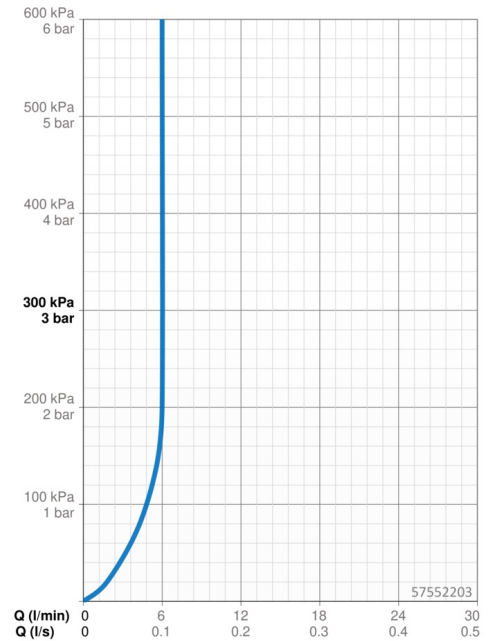
DN-size (nominal dimension) **DN15**  
 Hot water supply **max. +70°C**  
 Working pressure **1-10 bar**  
 Connection size **G3/8**  
 Projection **146 mm**  
 Backflow prevention (EN1717) **AA**  
 Material **Brass**

### Regulations

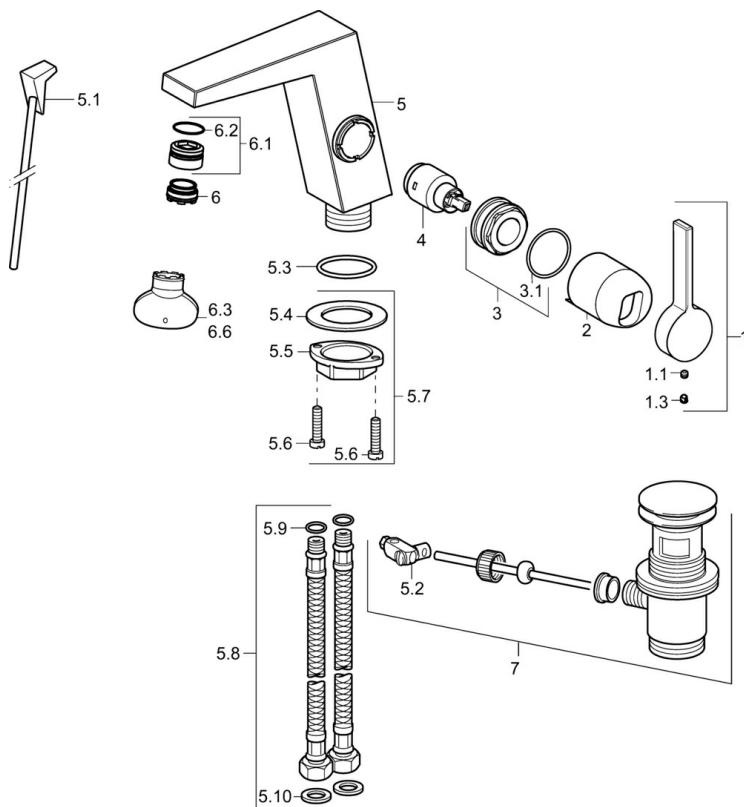
EN standard **EN 817**

### Approvals and Declarations

Declaration of conformity **DoC**



## Spare parts



### SP57552203

	Name	Code
1	Lever	59914010
1.1	Screw, M5x6, SW2.5	59912617
1.3	Cover plug	59913762
2	Covering cap Discontinued	59914011
3	Nut, M32x1, SW30 Discontinued	59914012
4	Cartridge, 2.5	59913914
5.1	Pop-up operating rod Discontinued	59914014
5.2	Swivel joint	59904624
5.3	O-ring, 35x2.5	59905020
5.7	Fixing set	59913371
5.8	Hose, M8x1, G3/8, L=480 Discontinued	59914008
5.9	O-ring, 6x1.4	59913266
5.10	Gasket, 9.5x14.4x2	59912551
6	Aerator, M24x1 HC SSR-STD	59914015
6.1	Fitting ring for aerator	59914007
6.3	Key for aerator, SLIM AIR	59914013
7	Pop-up waste	59911441