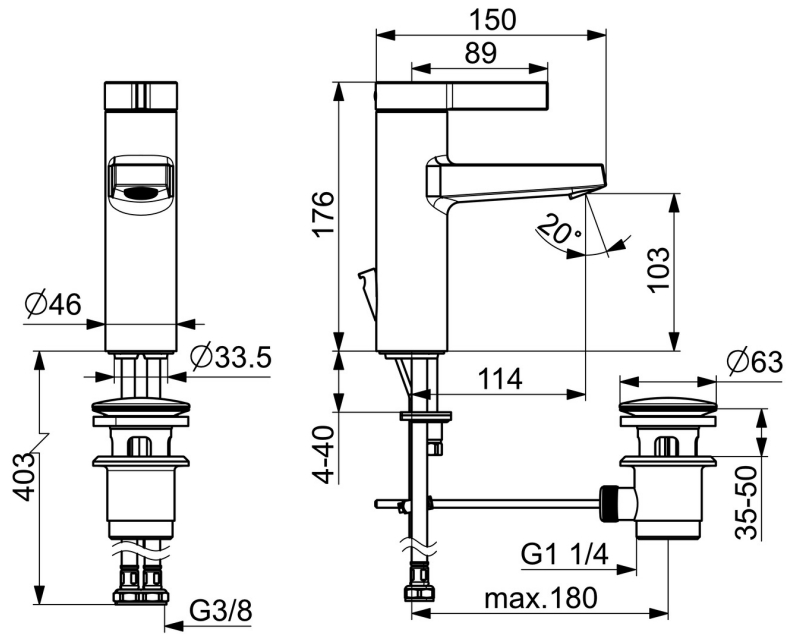
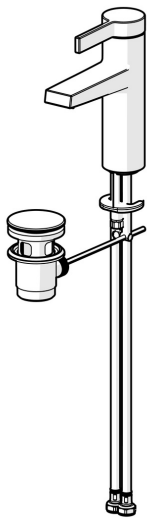


EAN: 4015474262041
static.hansa.com/57542203



- Washbasin
- Single-lever
- Deck mounted
- Chrome
- Fixed spout
- PCA® - constant flow rate regardless of pressure variations, Hidden aerator
- Hot/Cold symbols, Single operating lever/handle
- Pop-up waste with draw-rod
- Adjustable hot water stop (included, retrofittable)
- ø 35 mm ceramic cartridge for flow and temperature control
- Flexible inlet pipes
- Inner body made of DZR brass, Rapid installation system



Technical data

Flow properties

Flow-rate at 3 bar (with flow controller) **6.0 l/min**

Technical properties

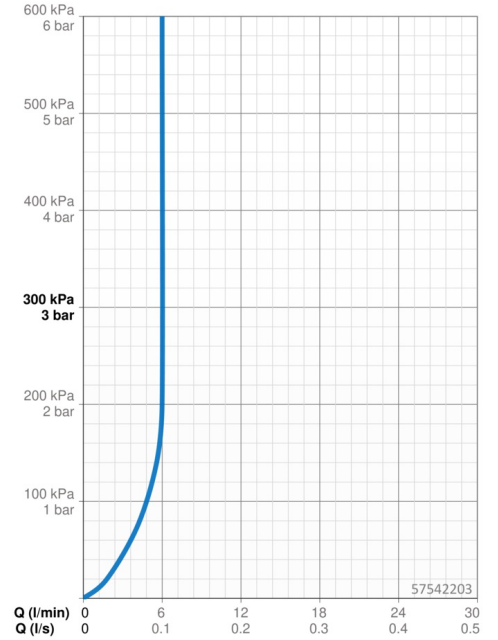
DN-size (nominal dimension) **DN15**
 Hot water supply **max. +70°C**
 Working pressure **0.5-10 bar**
 Connection size **G3/8**
 Projection **114 mm**
 Backflow prevention (EN1717) **AA**
 Material **Brass**

Regulations

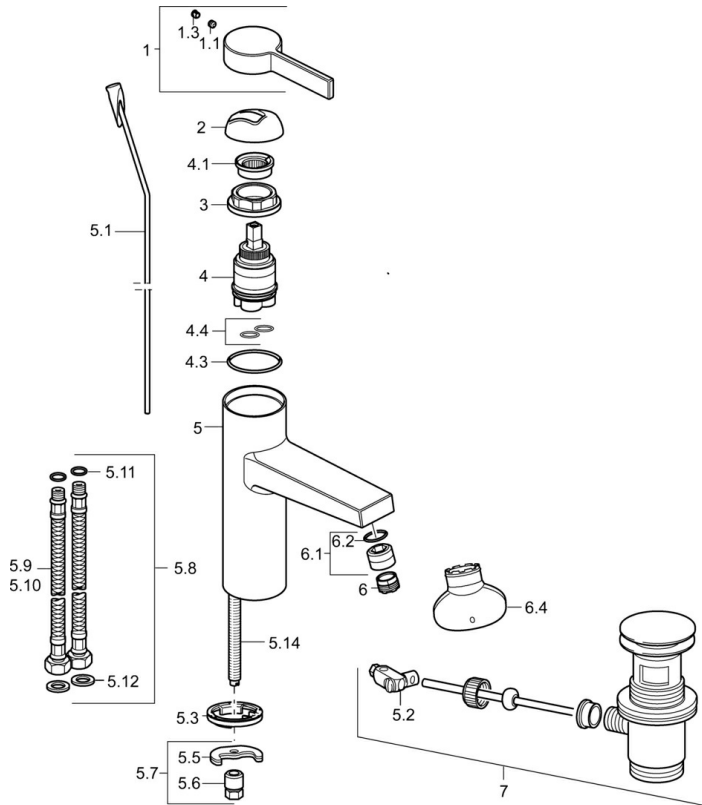
EN standard **EN 817**

Approvals and Declarations

Declaration of conformity **DoC**
 EPD **S-P-06391**



Spare parts



SP57542203

	Name	Code
1	Lever	59914017
1.1	Screw, M5x6, SW2.5	59912617
1.3	Cover plug	59913762
2	Covering cap	59914016
3	Screw, M4x1, SW34	59913365
4	Cartridge, 3.5 Eco	59912324
4	Cartridge, 3.5 Classic	59913075
4.1	Temperature adjustment limiter	59912325
4.3	O-ring, d 28.24x2.62 Discontinued	59912590
4.4	O-ring, d 10.10x1.60 Discontinued	59905072
5.1	Pop-up operating rod	59913652
5.2	Swivel joint	59904624
5.3	Bottom seal	59914591
5.5	Fixing plate	59904765
5.6	Screw, M8x1, SW13	59904766
5.7	Fixing set	59910749
5.8	Flexible pipe, L=430, G3/8-M10x1 RH Discontinued	59913213
5.9	Flexible pipe, L=500, G3/8-M10x1	59911767
5.11	O-ring, d 7.65x1.78	59902337
5.12	Gasket, 9.5x14.4x2	59912551
5.14	Fixing screw, M8x1, L=140	59912474
6	Aerator, M18.5x1, TJ	59913366
6.1	Fitting ring for aerator	59913654
6.4	Key for aerator, M18.5	59913367
7	Pop-up waste	59911441
N.I.	Key, SW30/34	59912108