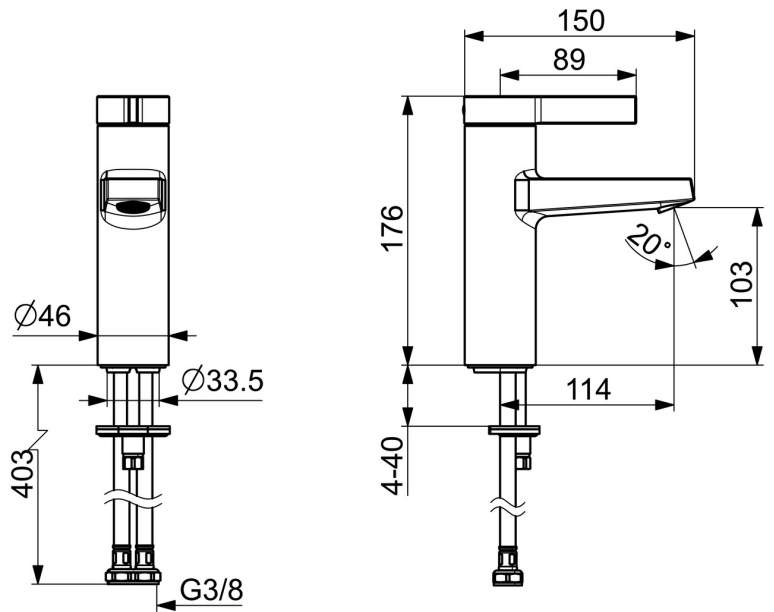
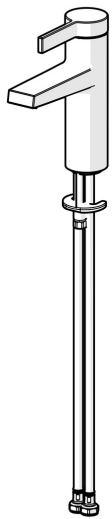


EAN: 4015474263284  
[static.hansa.com/57532203](http://static.hansa.com/57532203)



- Washbasin
- Single-lever
- Deck mounted
- Chrome
- Fixed spout
- PCA® - constant flow rate regardless of pressure variations, Hidden aerator
- Hot/Cold symbols, Single operating lever/handle
- Adjustable hot water stop (included, retrofittable)
- ø 35 mm ceramic cartridge for flow and temperature control
- Flexible inlet pipes
- Inner body made of DZR brass, Rapid installation system
- Without pop-up waste, Without draw-rod opening



## Technical data

### Flow properties

Flow-rate at 3 bar (with flow controller)	<b>6.0 l/min</b>
Pressure loss with flow (0.1 l/s)	<b>2 bar</b>

### Technical properties

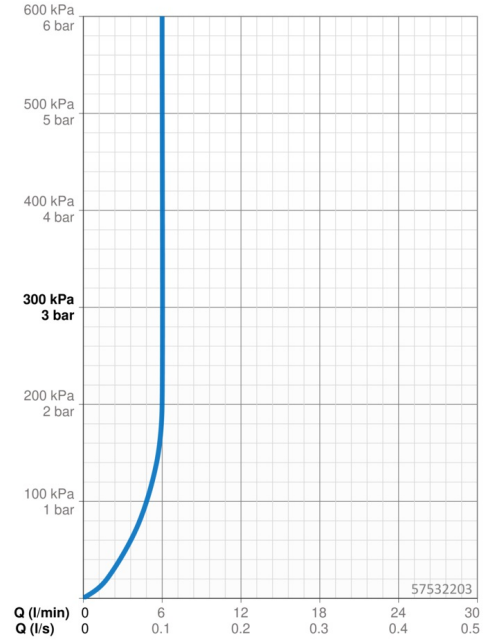
DN-size (nominal dimension)	<b>DN15</b>
Hot water supply	<b>max. +70°C</b>
Working pressure	<b>0.5-10 bar</b>
Connection size	<b>G3/8</b>
Projection	<b>114 mm</b>
Backflow prevention (EN1717)	<b>AA</b>
Material	<b>Brass</b>

### Regulations

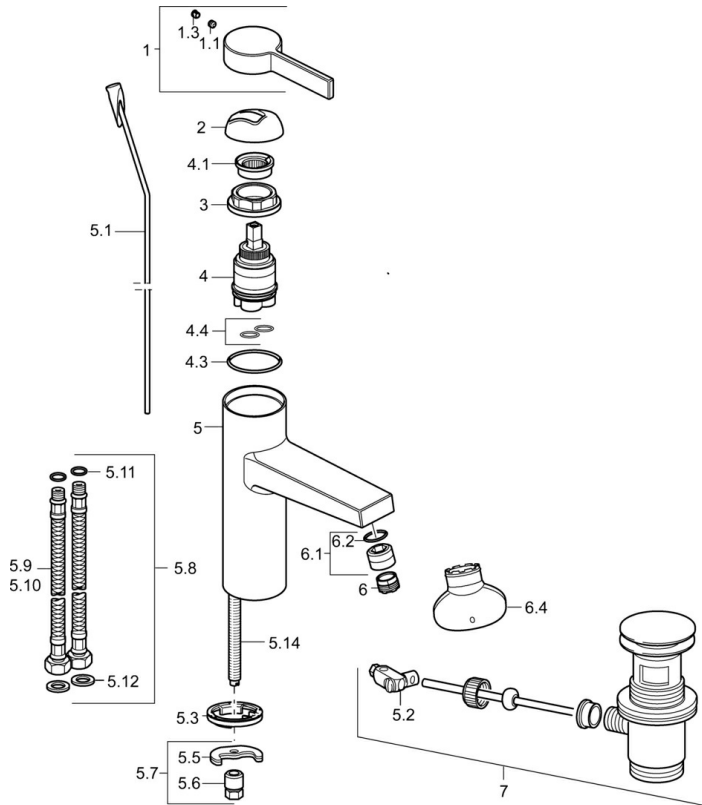
EN standard	<b>EN 817</b>
-------------	---------------

### Approvals and Declarations

Declaration of conformity	<b>DoC</b>
EPD	<b>S-P-06391</b>



## Spare parts



### SP57542203

	Name	Code
1	Lever	59914017
1.1	Screw, M5x6, SW2.5	59912617
1.3	Cover plug	59913762
2	Covering cap	59914016
3	Screw, M4x1, SW34	59913365
4	Cartridge, 3.5 Eco	59912324
4	Cartridge, 3.5 Classic	59913075
4.1	Temperature adjustment limiter	59912325
4.3	O-ring, d 28.24x2.62 Discontinued	59912590
4.4	O-ring, d 10.10x1.60 Discontinued	59905072
5.1	Pop-up operating rod	59913652
5.2	Swivel joint	59904624
5.3	Bottom seal	59914591
5.5	Fixing plate	59904765
5.6	Screw, M8x1, SW13	59904766
5.7	Fixing set	59910749
5.8	Flexible pipe, L=430, G3/8-M10x1 RH Discontinued	59913213
5.9	Flexible pipe, L=500, G3/8-M10x1	59911767
5.11	O-ring, d 7.65x1.78	59902337
5.12	Gasket, 9.5x14.4x2	59912551
5.14	Fixing screw, M8x1, L=140	59912474
6	Aerator, M18.5x1, TJ	59913366
6.1	Fitting ring for aerator	59913654
6.4	Key for aerator, M18.5	59913367
7	Pop-up waste	59911441
N.I.	Key, SW30/34	59912108