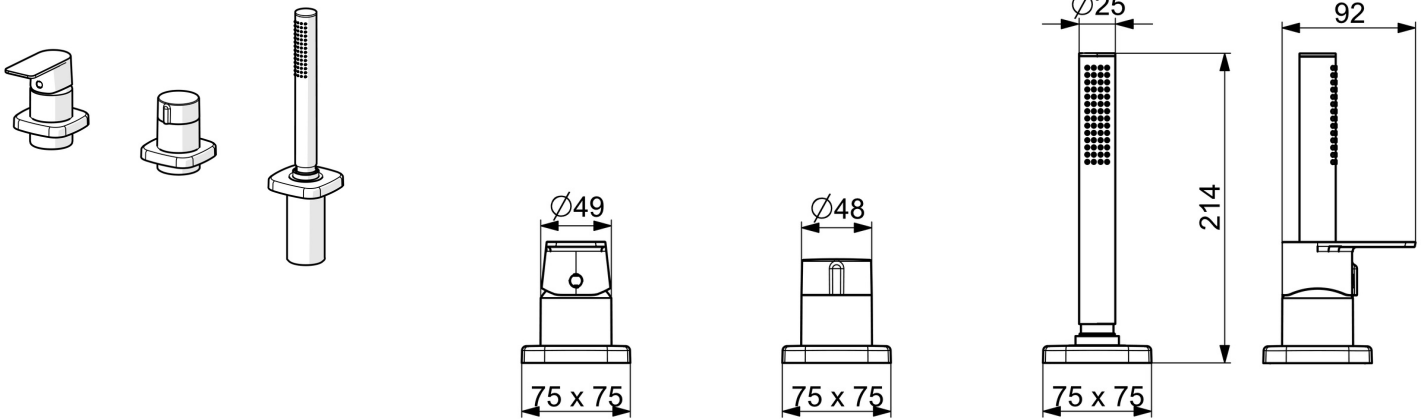


EAN: 4057304015311
static.hansa.com/57319173



Edgy designed combined with a sleek elegant finish, making this faucet the perfect addition to your contemporary bathtub and shower area. The trim kit and single-lever features make it easy to adjust the temperature and flow of water with a simple movement. This faucet is perfect for rim-mounted installation and comes with a turn operated diverter, making it easy to switch between bath and shower functions. The advanced inner body made of corrosion resistant brass ensures durability and high-temperature resistance. This top-rated product provides excellent functionality and timeless elegance for any bathroom design.

- Bath tub & Shower
- Trim Kit, Single-lever
- Rim mounted
- Chrome
- Single operating lever/handle, Hot/Cold symbols
- Turn operated diverter
- \varnothing 40 mm ceramic cartridge for flow and temperature control, Non-return valve(s)
- Inner body made of DZR brass
- Soft edge rosette, Sleeve



Technical data

Flow properties

Flow-rate at 3 bar **20.4 / 13.2 l/min**

Technical properties

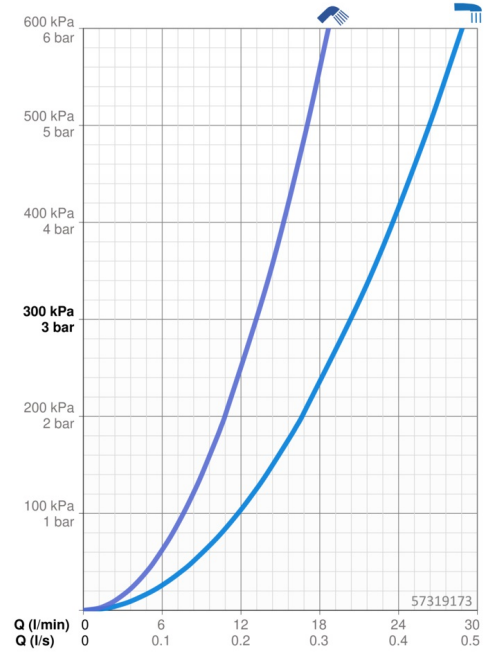
Hot water supply **max. +80°C**
 Working pressure **0.5-10 bar**
 Connection size **G1/2**
 Backflow prevention (EN1717) **EB**
 Material **Brass**

Regulations

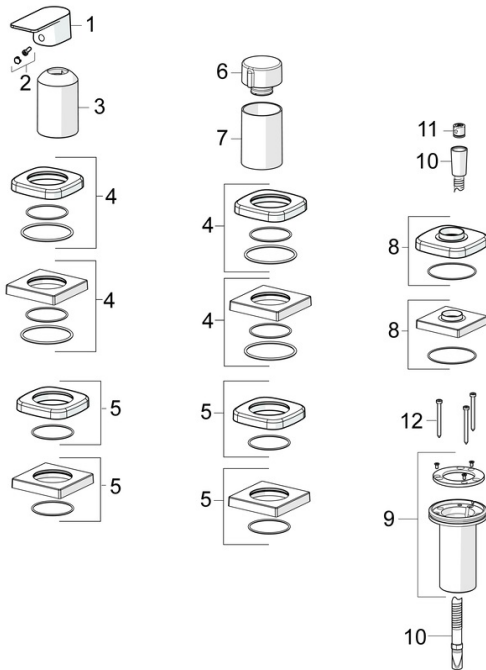
EN standard **EN 817**
 Noise class **I (ISO 3822)**

Approvals and Declarations

Declaration of conformity **DoC**



Spare parts



SP57319473

	Name	Code
01	Lever	1009774V
02	Symbol plug	59914573
03	Cover sleeve	59914572
04	Cover flange, 75x75 mm	59914213
04	Cover plate, 75x75 mm, for Compact Discontinued	59914675
05	Cover flange, 75x75 mm	59914214
05	Cover plate, 75x75 mm Discontinued	59914676
06	Flow control handle	59914669
07	Cover sleeve	59914671
08	Cover flange, 75x75 mm	1003885V
08	Cover plate, 75x75 mm Discontinued	59914677
09	Passing-through bushing	59914673
10	Shower hose, L=1750, G1/2-M12x1	59912281
11	Non-return valve	59905714
12	Screw, M4x45	59912291