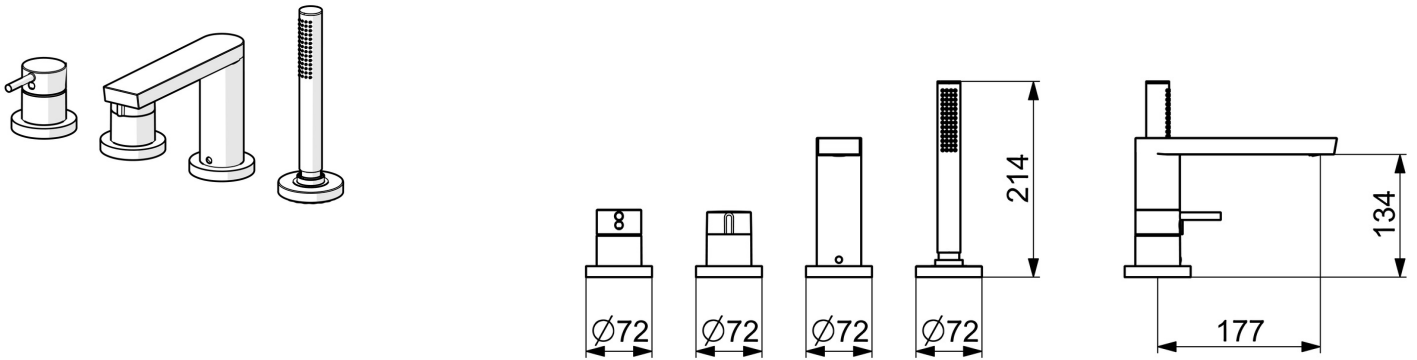


EAN: 4057304014543
static.hansa.com/57302411



- Bathtub & Shower
- Trim Kit, Single-lever
- Rim mounted
- Chrome
- Hidden aerator, Standard aerator
- Single operating lever/handle, Hot/Cold symbols, Pin shape
- Hand shower, Shower hose (1750 mm)
- Intense - invigorating water stream
- \varnothing 40 mm ceramic cartridge for flow and temperature control, Non-return valve(s), Litter filter(s)
- Inner body made of DZR brass, Anti-twist hose connector
- Round rosette
- 1 spray function



Technical data

Flow properties

Flow-rate at 3 bar **20.4 / 13.2 l/min**

Technical properties

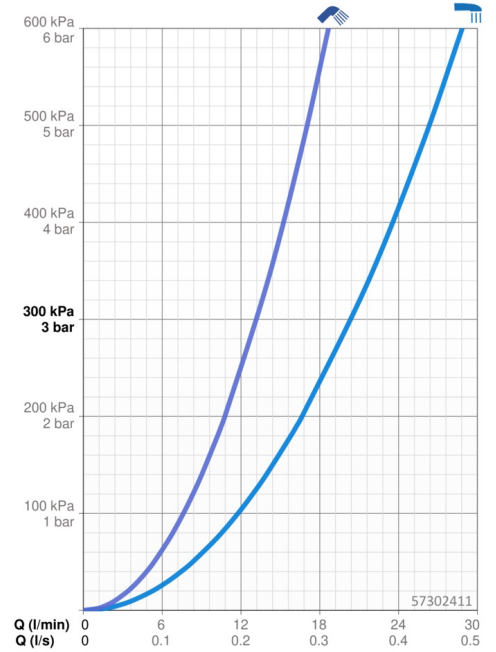
Hot water supply **max. +80°C**
 Working pressure **0.5-10 bar**
 Projection **177 mm**
 Backflow prevention (EN1717) **AA / EB**
 Material **Brass**

Regulations

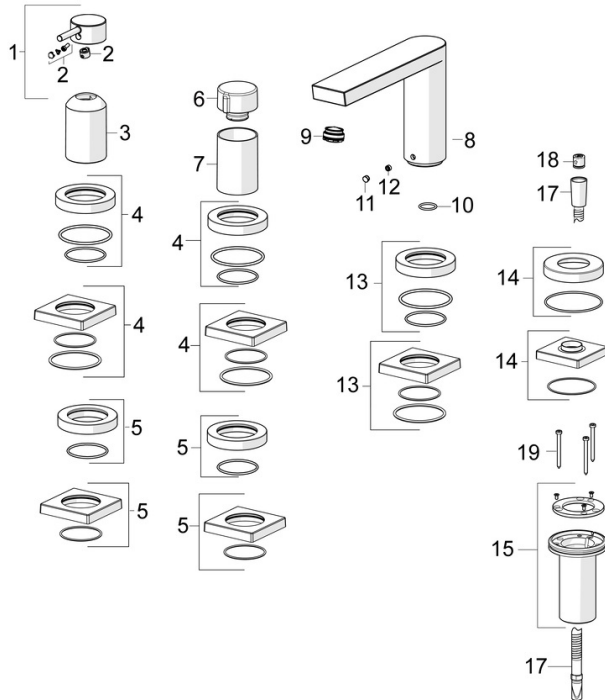
EN standard **EN 817, EN 1112, EN 1113**

Approvals and Declarations

Declaration of conformity **DoC**



Spare parts



SP57302421

	Name	Code
01	Lever	1006310V
02	Symbol plug	59914573
03	Cover sleeve	59914572
04	Cover plate, d 72 mm, for Compact	59914667
04	Cover flange, 75x75 mm	59914213
05	Cover flange, 75x75 mm	59914214
05	Cover plate, d 72 mm	59914668
06	Flow control handle	59914669
07	Cover sleeve	59914671
08	Spout, L=178 Discontinued	59913290
09	Aerator, M24x1 STD D CC-XT	59913760
10	O-ring, d 18x2	59913291
11	Cover plug	59911840
12	Screw, M6x9.5	59901609
13	Cover plate, d 72 mm Discontinued	59913278
13	Cover flange, 75x75 mm Discontinued	59914211
14	Cover plate, d 72 mm	59914672
14	Cover flange, 75x75 mm	1003885V
15	Passing-through bushing	59914673
17	Shower hose, L=1750, G1/2-M12x1	59912281
18	Non-return valve	59905714
19	Screw, M4x45	59912291