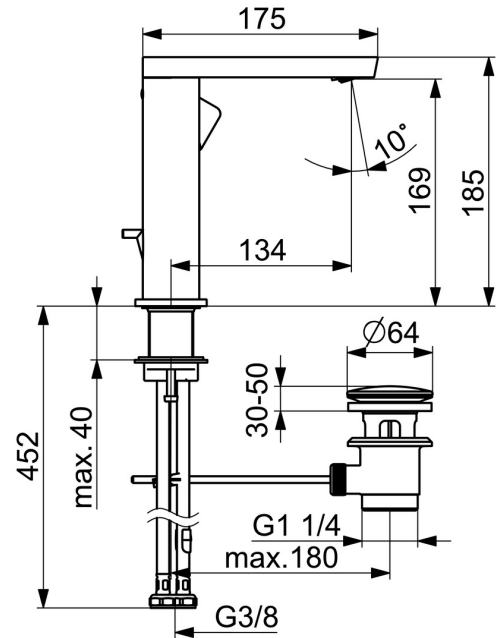
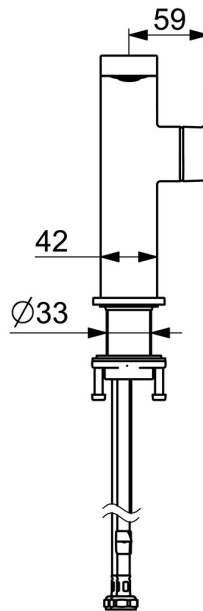
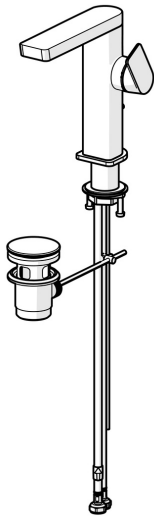


EAN: 4057304018268
static.hansa.com/571522730004



The perfect combination of style and function. This washbasin faucet from the Stela design line is the perfect new edgy addition to your bathroom. Its chrome surface treatment adds a touch of elegance to any washbasin. The single-lever, side operated faucet with hot and cold symbols and fixed spout make it easy to use. The inner body is made of corrosion resistant brass, ensuring durability and longevity. This deck-mounted faucet is perfect for any washbasin installation. Upgrade your bathroom with this timeless elegance for any bathroom design.

- Industry, ECO Building, Housing
- Single-lever, side operated
- Deck mounted
- Chrome
- Swivel spout
- PCA® - constant flow rate regardless of pressure variations
- Single operating lever/handle, Hot/Cold symbols
- Pop-up waste with draw-rod
- \varnothing 25 mm ceramic cartridge for flow and temperature control
- Flexible inlet pipes
- Inner body made of DZR brass
- swivel spout with detent in middle position



Technical data

Flow properties

Flow-rate at 3 bar (with flow controller) **3.4 l/min**

Technical properties

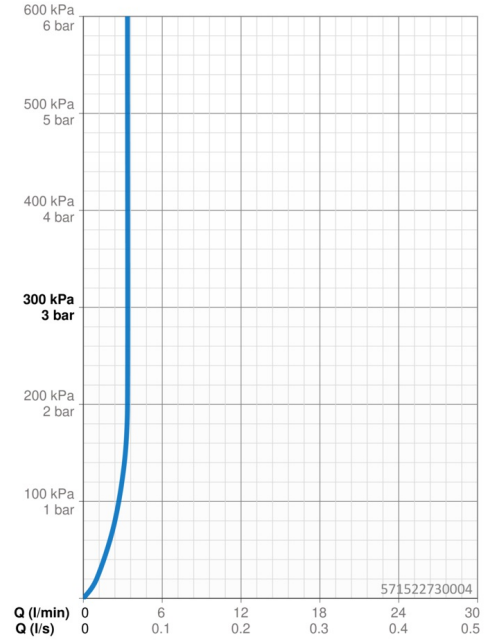
DN-size (nominal dimension) **DN15**
 Hot water supply **max. +70°C**
 Working pressure **0.5-10 bar**
 Connection size **G3/8**
 Projection **134 mm**
 Backflow prevention (EN1717) **AA**
 Material **Brass**

Regulations

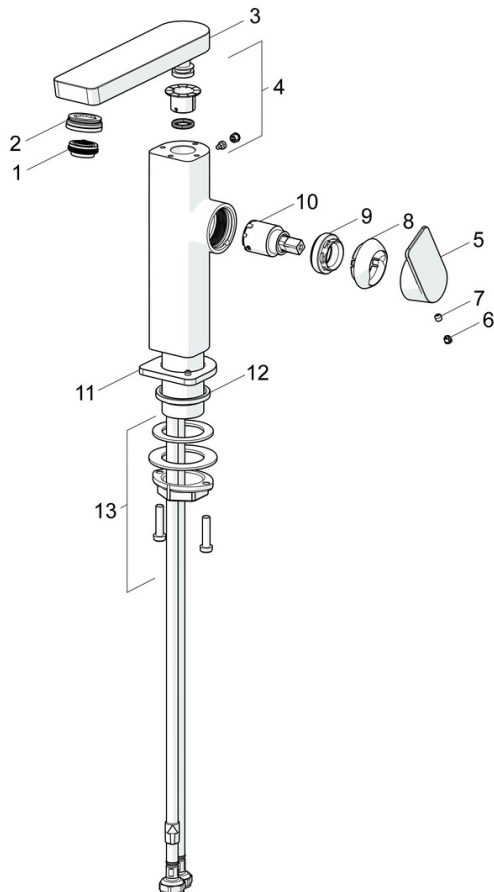
EN standard **EN 817**
 Noise class **I (ISO 3822)**

Approvals and Declarations

ABP **PA-IX 38026/IO**
 Declaration of conformity **DoC**
 EPD **S-P-06391**



Spare parts



SP57142273

| | Name | Code |
|----|--|----------|
| 01 | Aerator, M24x1 HC SSR-STD | 59914015 |
| 02 | Fitting ring for aerator, M24x1, SW17, (2019-) | 59914744 |
| 03 | Spout, L=154 | 1006400V |
| 04 | Sealing kit | 59911884 |
| 05 | Lever | 1000776V |
| 06 | Cover plug | 59913762 |
| 07 | Screw, M5x8, SW2.5 | 59904755 |
| 08 | Covering cap Discontinued | 59914638 |
| 09 | Tightening nut, M32x1, SW24 | 59913958 |
| 10 | Cartridge, 2.5 | 59913914 |
| 11 | Cover flange | 1006394V |
| 12 | Bottom seal | 59914650 |
| 13 | Fixing set | 59913371 |