



## Technical data

### Flow properties

Flow-rate at 3 bar (with flow controller) **6.0 l/min**

### Technical properties

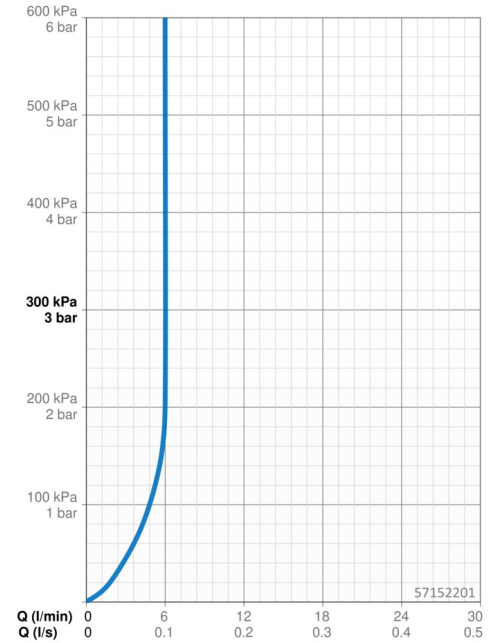
DN-size (nominal dimension) **DN15**  
 Hot water supply **max. +70°C**  
 Working pressure **0.5-10 bar**  
 Connection size **G3/8**  
 Projection **122 mm**  
 Backflow prevention (EN1717) **AA**  
 Material **Brass**

### Regulations

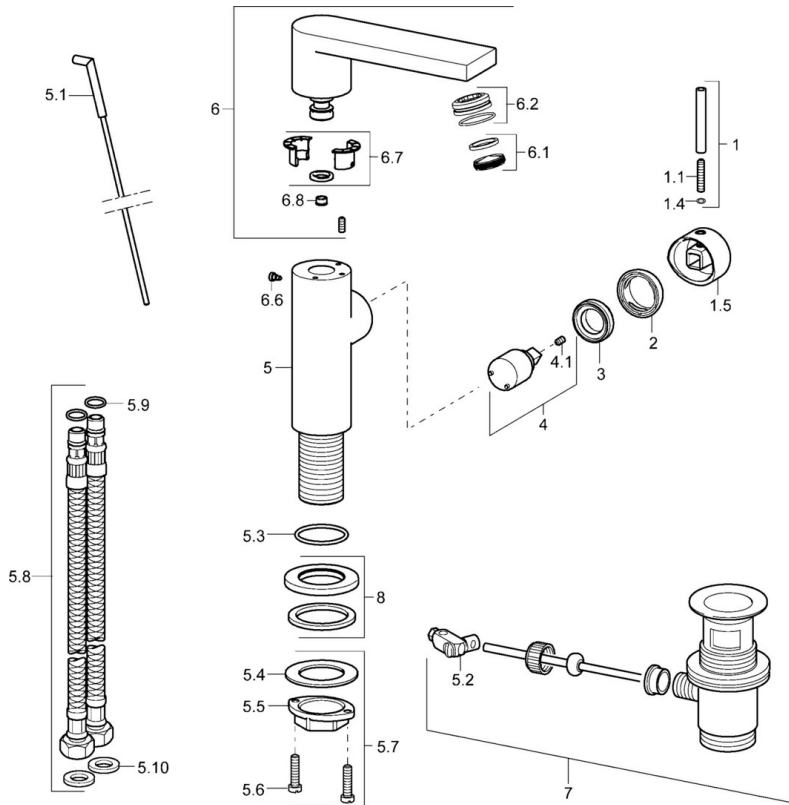
EN standard **EN 817**  
 Noise class **I (ISO 3822)**

### Approvals and Declarations

ABP **P-IX 29678/10**  
 Declaration of conformity **DoC**



## Spare parts



### SP57152201

	Name	Code
1	Lever, 50 mm, d 7 mm	59913097
1.1	Pin, M5x23, SW2.5	59913955
1.4	O-ring, d 3x1.5	59913100
1.5	Cap	59913956
2	Covering cap	59913957
3	Tightening nut, M32x1, SW24	59913958
4	Cartridge, 2.5	59913914
4.1	Screw, M4x4	59901027
5.1	Pop-up operating rod	59913959
5.2	Swivel joint	59904624
5.3	O-ring, 35x2.5	59905020
5.7	Fixing set	59913371
5.8	Flexible pipe, L=430, G3/8-M8x1	59913964
5.9	O-ring, 6x1.4	59913266
5.10	Gasket, 9.5x14.4x2	59912551
6	Spout	59913960
6.1	Aerator, M24x1	59913132
6.1	Aerator, M24x1 HC SSR-STD	59914015
6.2	Fitting ring for aerator	59914007
6.2	Fitting ring for aerator, M24x1, SW17, (2019-)	59914744
6.6	Screw, M4x7	59902075
6.7	Sealing kit	59911884
7	Pop-up waste	59904620
8	Cover flange, d 55 mm	59913963
N.I.	Cover plug	59911840