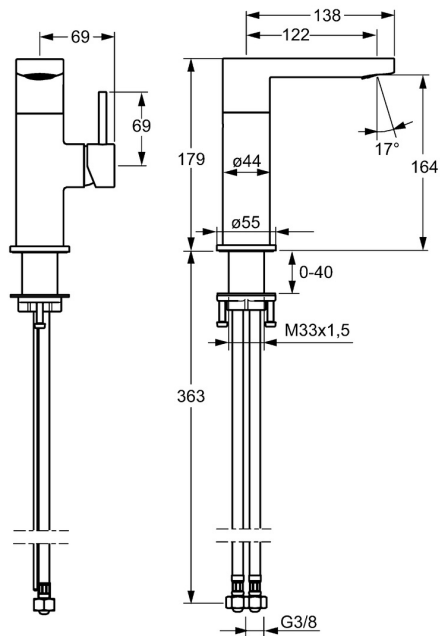
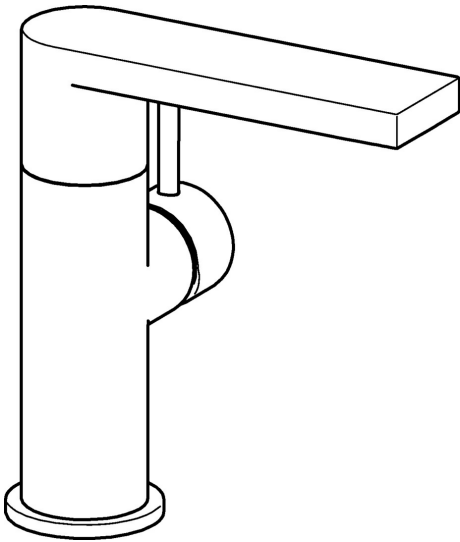


EAN: 4015474261419
static.hansa.com/57142201



- Washbasin
- Single-lever, side operated
- Deck mounted
- Chrome
- Swivel spout
- PCA® - constant flow rate regardless of pressure variations
- Pin shape, Hot/Cold symbols, Single operating lever/handle
- Litter filter(s), ϕ 25 mm ceramic cartridge for flow and temperature control
- Flexible inlet pipes
- Inner body made of DZR brass
- Without pop-up waste



Technical data

Flow properties

Flow-rate at 3 bar (with flow controller)	6.0 l/min
Pressure loss with flow (0.1 l/s)	2 bar

Technical properties

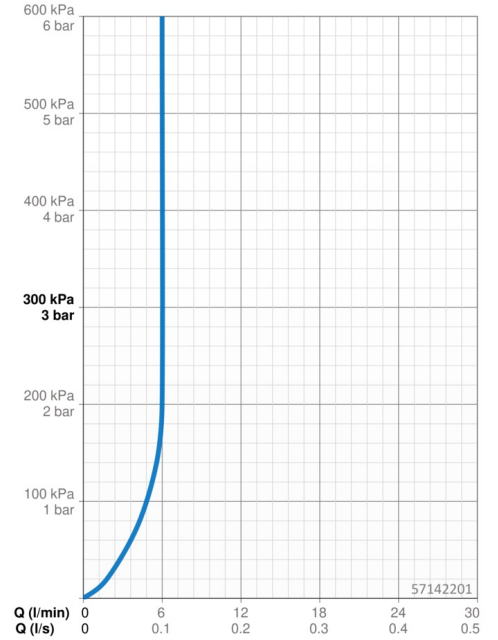
DN-size (nominal dimension)	DN15
Hot water supply	max. +70°C
Working pressure	1-10 bar
Connection size	G3/8
Projection	122 mm
Backflow prevention (EN1717)	AA
Material	Brass

Regulations

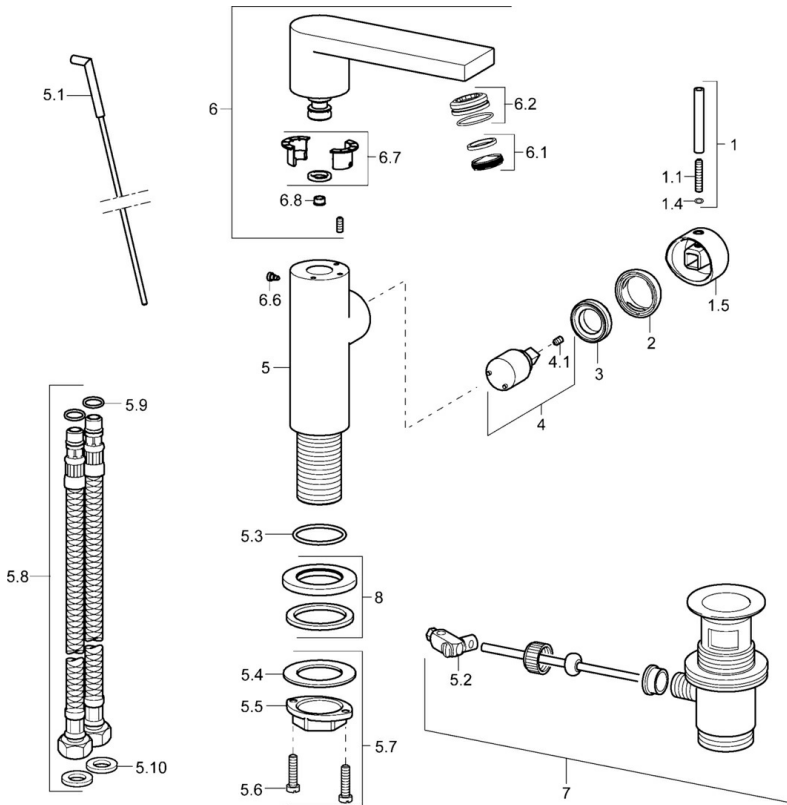
EN standard	EN 817
Noise class	I (ISO 3822)

Approvals and Declarations

ABP	P-IX 29678/10
Declaration of conformity	DoC



Spare parts



SP57152201

	Name	Code
1	Lever, 50 mm, d 7 mm	59913097
1.1	Pin, M5x23, SW2.5	59913955
1.4	O-ring, d 3x1.5	59913100
1.5	Cap	59913956
2	Covering cap	59913957
3	Tightening nut, M32x1, SW24	59913958
4	Cartridge, 2.5	59913914
4.1	Screw, M4x4	59901027
5.1	Pop-up operating rod	59913959
5.2	Swivel joint	59904624
5.3	O-ring, 35x2.5	59905020
5.7	Fixing set	59913371
5.8	Flexible pipe, L=430, G3/8-M8x1	59913964
5.9	O-ring, 6x1.4	59913266
5.10	Gasket, 9.5x14.4x2	59912551
6	Spout	59913960
6.1	Aerator, M24x1	59913132
6.1	Aerator, M24x1 HC SSR-STD	59914015
6.2	Fitting ring for aerator	59914007
6.2	Fitting ring for aerator, M24x1, SW17, (2019-)	59914744
6.6	Screw, M4x7	59902075
6.7	Sealing kit	59911884
7	Pop-up waste	59904620
8	Cover flange, d 55 mm	59913963
N.I.	Cover plug	59911840