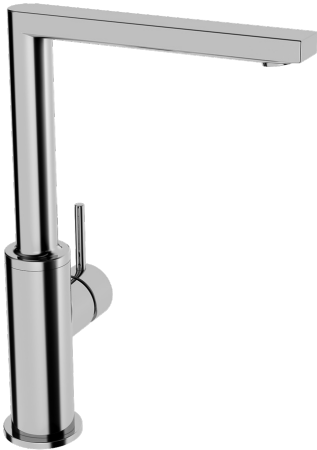
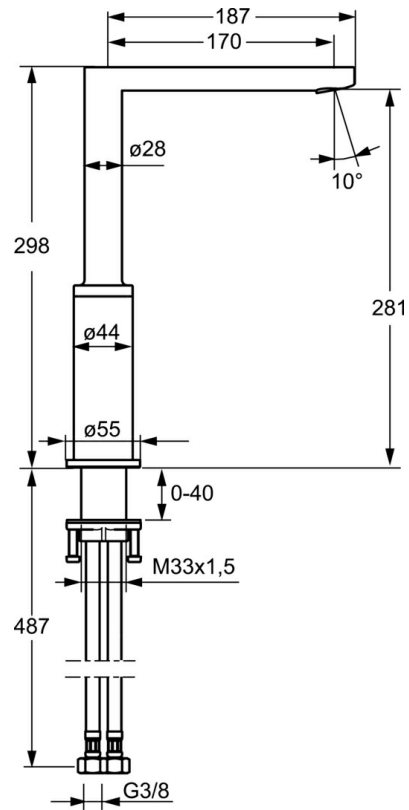
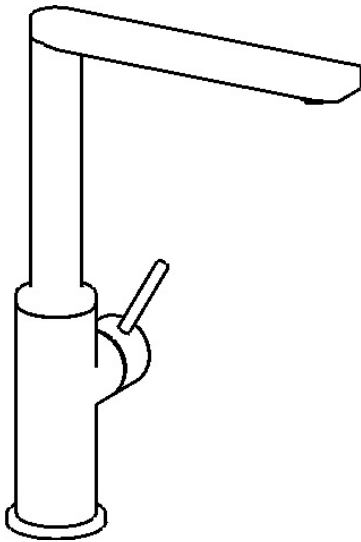


EAN: 4015474263116  
[static.hansa.com/57112273](http://static.hansa.com/57112273)



- Kitchen
- Single-lever, side operated
- Deck mounted
- Chrome
- Swivel spout
- Standard aerator
- Hot/Cold symbols, Single operating lever/handle, Pin shape, Flow control handle
- Litter filter(s),  $\varnothing$  25 mm ceramic cartridge for flow and temperature control
- Flexible inlet pipes
- Inner body made of DZR brass



## Technical data

### Flow properties

Flow-rate at 3 bar (with flow controller) **9.0 l/min**

### Technical properties

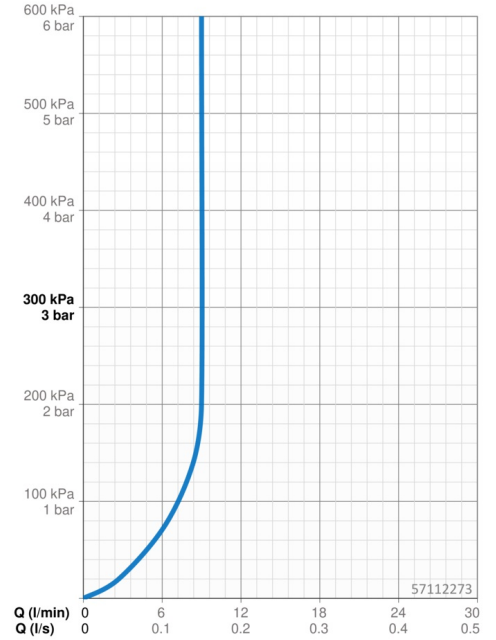
DN-size (nominal dimension) **DN15**  
 Hot water supply **max. +70°C**  
 Working pressure **1-10 bar**  
 Connection size **G3/8**  
 Projection **170 mm**  
 Material **Brass**

### Regulations

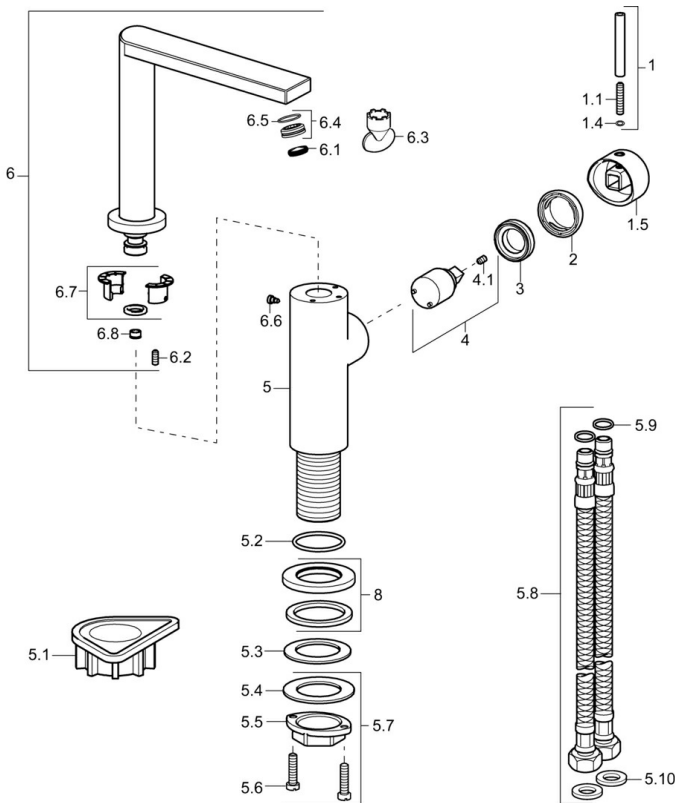
EN standard **EN 817**  
 Noise class **I (ISO 3822)**

### Approvals and Declarations

ABP **P-IX 29677/10**  
 Declaration of conformity **DoC**



## Spare parts



### SP57112273

	Name	Code
1	Lever, 50 mm, d 7 mm	59913097
1.1	Pin, M5x23, SW2.5	59913955
1.4	O-ring, d 3x1.5	59913100
1.5	Cap	59913956
2	Covering cap	59913957
3	Tightening nut, M32x1, SW24	59913958
4	Cartridge, 2.5	59913914
4.1	Screw, M4x4	59901027
5.1	Supporting plate	59910008
5.2	O-ring, 35x2.5	59905020
5.3	Gasket, 48x33.5x2	59902283
5.7	Fixing set	59913371
5.8	Flexible pipe, L=550, G3/8-M8x1	59913969
5.9	O-ring, 6x1.4	59913266
5.10	Gasket, 9.5x14.4x2	59912551
6	Spout	59913999
6.1	Aerator, M18x1	59913997
6.2	Fixing screw, M4x8	59913989
6.3	Key for aerator, M18x1	59913998
6.4	Gasket ring	59913996
6.6	Screw, M4x7	59902075
6.7	Sealing kit	59911884
6.8	Flow control handle, 9 L/min Discontinued	59914000
8	Cover flange, d 55 mm	59913963