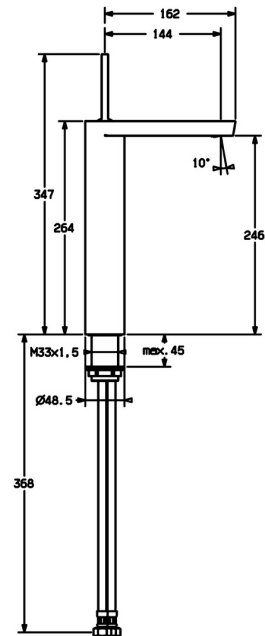
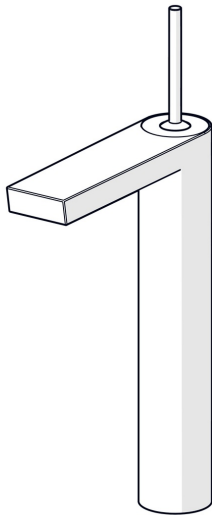


EAN: 4015474162884
static.hansa.com/57102201



- Washbasin
- Single-lever
- Deck mounted
- Chrome
- Fixed spout
- Hidden aerator
- Pin shape, Single operating lever/handle, Hot/Cold symbols
- \varnothing 35 mm ceramic cartridge for flow and temperature control
- Flexible inlet pipes
- Inner body made of DZR brass
- Without pop-up waste, Without draw-rod opening



Technical data

Flow properties

Flow-rate at 3 bar (with flow controller)	6.0 l/min
Pressure loss with flow (0.1 l/s)	2 bar

Technical properties

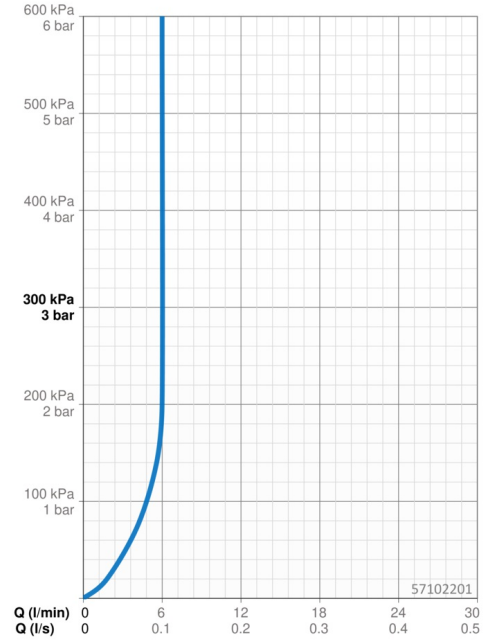
DN-size (nominal dimension)	DN15
Hot water supply	max. +70°C
Working pressure	1-10 bar
Connection size	G3/8
Projection	144 mm
Material	Brass

Regulations

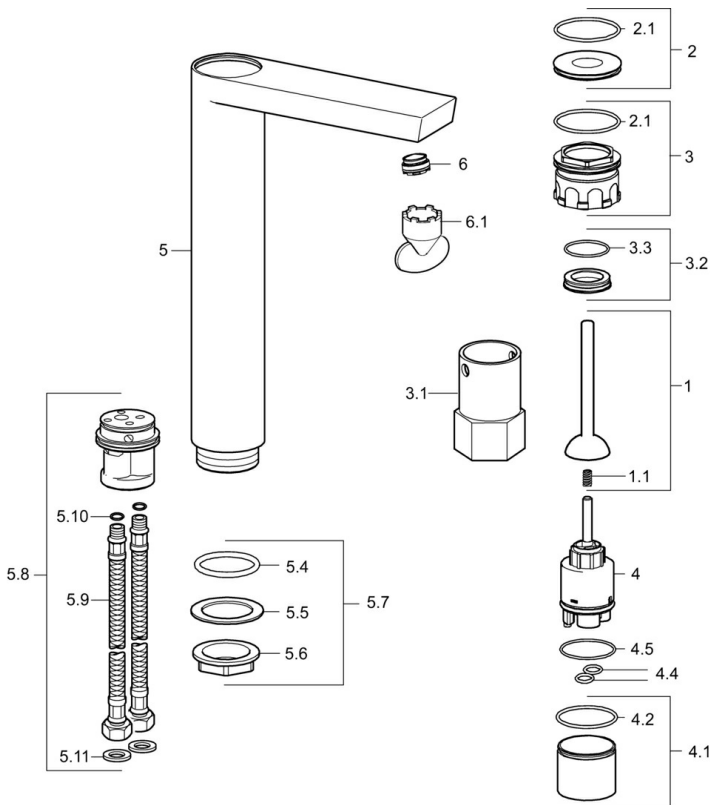
EN standard	EN 817
Noise class	I (ISO 3822)

Approvals and Declarations

ABP	P-IX 29676/10
Declaration of conformity	DoC



Spare parts



SP57102201

	Name	Code
1	Lever	59913090
1.1	Spring clip	59913091
2	Decorative ring	59913088
2.1	O-ring, d 40x2	59911507
3	Fixing screw, M44x1 AF34	59913089
3.1	Socket wrench, SW34	59913092
3.2	Spacer ring	59913096
4	Cartridge, 3.5 Joystick	59913051
4.1	Spacer sleeve	59913093
4.4	O-ring, d 10.10x1.60 Discontinued	59905072
4.5	O-ring, d 28.24x2.62 Discontinued	59912590
5.7	Fixing set	59913479
5.7	Fixing set Discontinued	59913250
5.8	Flexible pipe, L=600, G3/8-M10x1	59913249
5.9	Flexible pipe, L=590, G3/8-M10x1 Discontinued	59913166
5.10	O-ring, d 7.65x1.78	59902337
5.11	Gasket, 9.5x14.4x2	59912551
6	Aerator, M24x1 STD HC	59913741
6.1	Key for aerator, M24x1	59913134