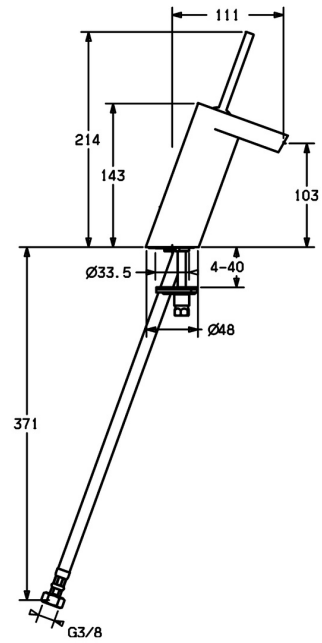
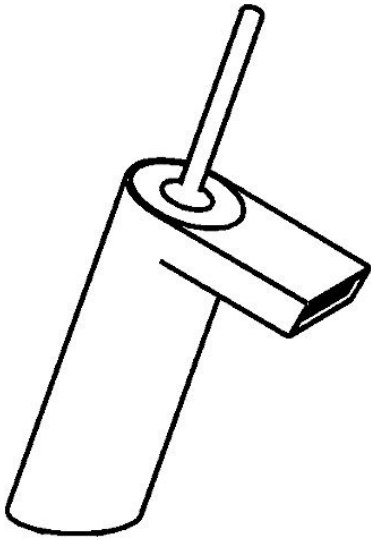


EAN: 4015474165335  
[static.hansa.com/57082201](http://static.hansa.com/57082201)



- Washbasin
- Single-lever
- Deck mounted
- Chrome
- Fixed spout
- Laminar stream
- Pin shape, Single operating lever/handle, Hot/Cold symbols
- $\varnothing$  35 mm ceramic cartridge for flow and temperature control
- Flexible inlet pipes
- Inner body made of DZR brass, Rapid installation system
- Without pop-up waste, Without draw-rod opening
- Torrent water flow, with Joystick-cartridge



## Technical data

### Flow properties

Flow-rate at 3 bar (with flow reducers)	<b>6.0 l/min</b>
Pressure loss with flow (0.1 l/s)	<b>2 bar</b>

### Technical properties

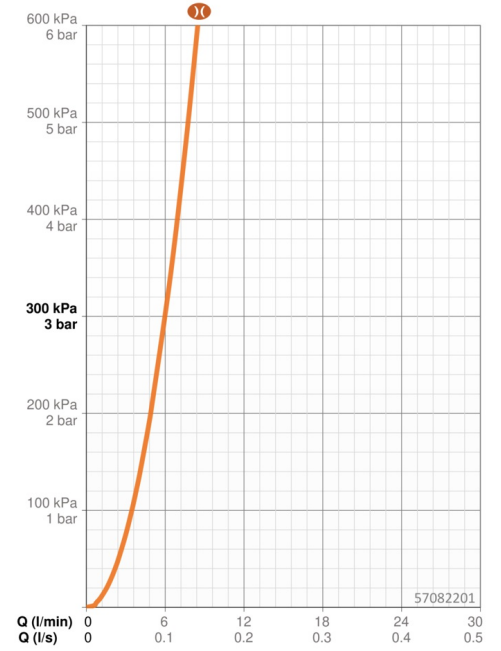
DN-size (nominal dimension)	<b>DN15</b>
Hot water supply	<b>max. +70°C</b>
Working pressure	<b>1-10 bar</b>
Connection size	<b>G3/8</b>
Projection	<b>111 mm</b>
Material	<b>Brass</b>

### Regulations

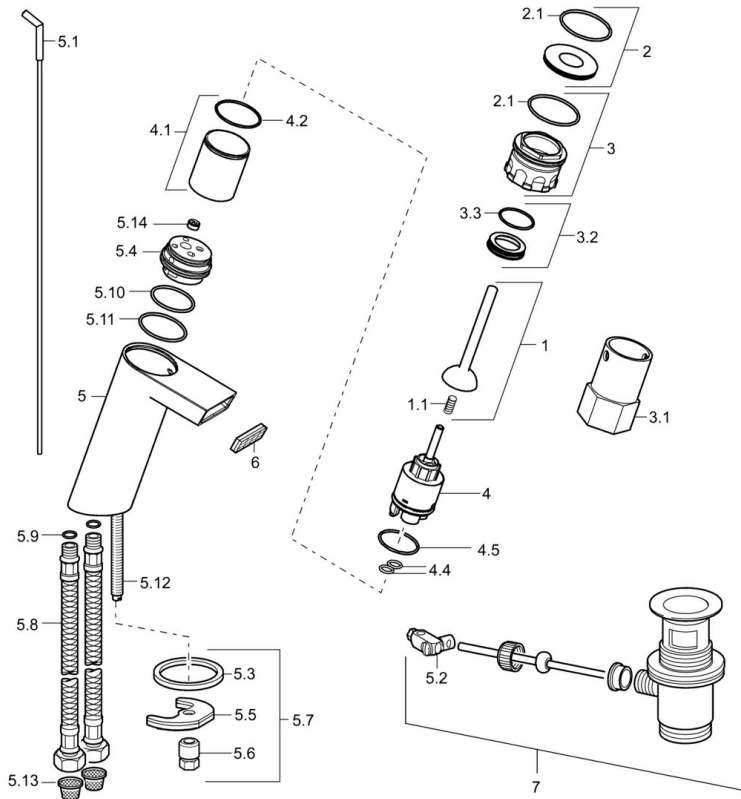
EN standard	<b>EN 817</b>
Noise class	<b>I (ISO 3822)</b>

### Approvals and Declarations

ABP	<b>P-IX 29675/10</b>
Declaration of conformity	<b>DoC</b>



## Spare parts



### SP57092201

	Name	Code
1	Lever	59913090
1.1	Spring clip	59913091
2	Decorative ring	59913088
2.1	O-ring, d 40x2	59911507
3	Fixing screw, M44x1 AF34	59913089
3.1	Socket wrench, SW34	59913092
3.2	Spacer ring	59913096
4	Cartridge, 3.5 Joystick	59913051
4.1	Spacer sleeve	59913093
4.4	O-ring, d 10.10x1.60 Discontinued	59905072
4.5	O-ring, d 28.24x2.62 Discontinued	59912590
5.1	Pop-up operating rod	59912527
5.2	Swivel joint	59904624
5.3	Gasket, 43x37x3	59912506
5.5	Fixing plate	59904765
5.6	Screw, M8x1, SW13	59904766
5.7	Fixing set	59910749
5.8	Flexible pipe, L=430, G3/8-M10x1	59912515
5.9	O-ring, d 7.65x1.78	59902337
5.10	O-ring, d 32x2	59912803
5.12	Fixing screw, M8x1, L=140	59912474
5.13	Litter filter	59911684
5.14	Flow limiter, 8L/min	59913095
6	Aerator and key, 6 l/min	59913094
7	Pop-up waste	59904620
N.I.	Key for aerator	59913757