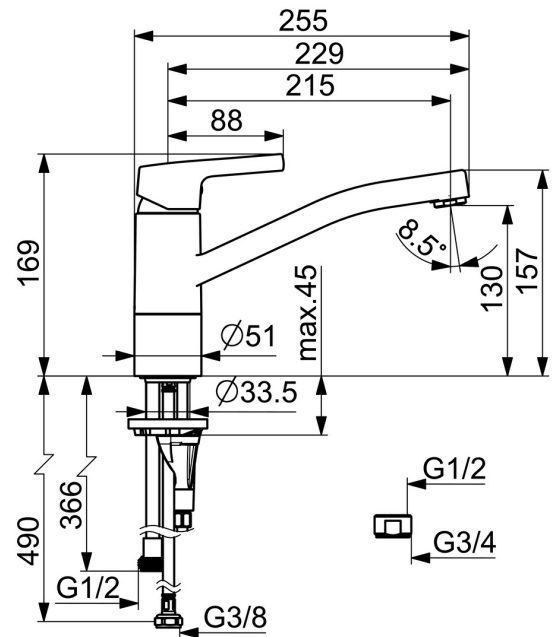
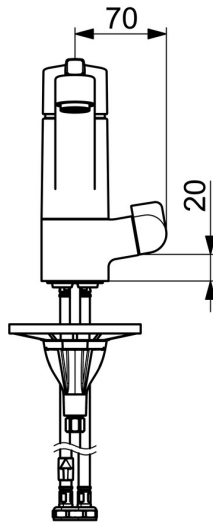
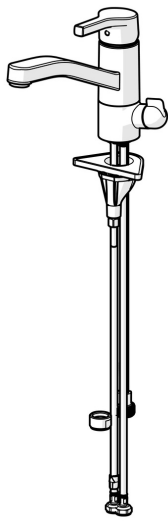


EAN: 4057304012365
static.hansa.com/56542203



- Kitchen
- Single-lever, Dishwasher valve
- Deck mounted
- Chrome
- Swivel spout, Swivel range limiting option
- Standard aerator
- Mechanic stop valve for external equipment
- Hot/Cold symbols, Single operating lever/handle
- Limitation option for maximum temperature and flow-rate, Adjustable hot water stop (included, retrofittable)
- \varnothing 35 mm ceramic cartridge for flow and temperature control
- Flexible inlet pipes
- 3S-installation system for safe and simple mounting



Technical data

Flow properties

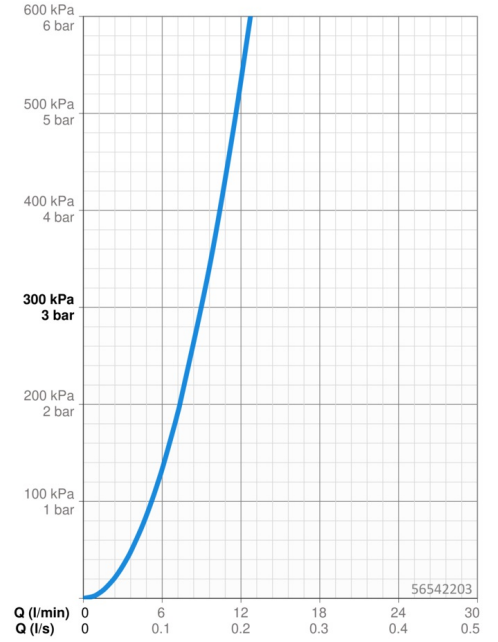
Flow-rate at 3 bar **9.0 l/min**

Technical properties

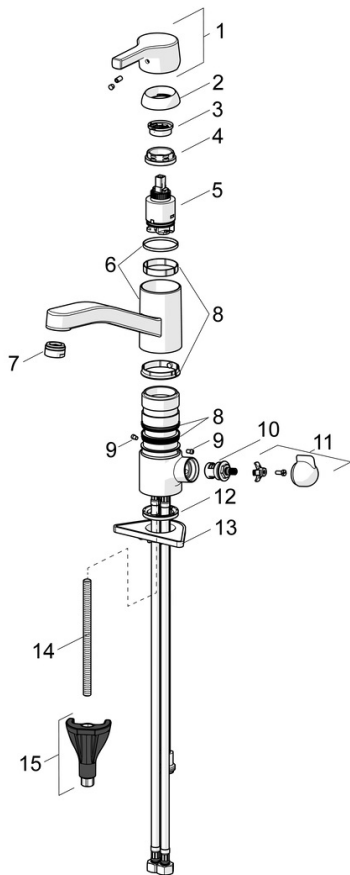
DN-size (nominal dimension) **DN15**
 Hot water supply **max. +70°C**
 Working pressure **0.5-10 bar**
 Connection size **G3/8**
 Projection **215 mm**
 Material **Brass**

Regulations

EN standard **EN 817**
 Noise class **I(ISO3822)**

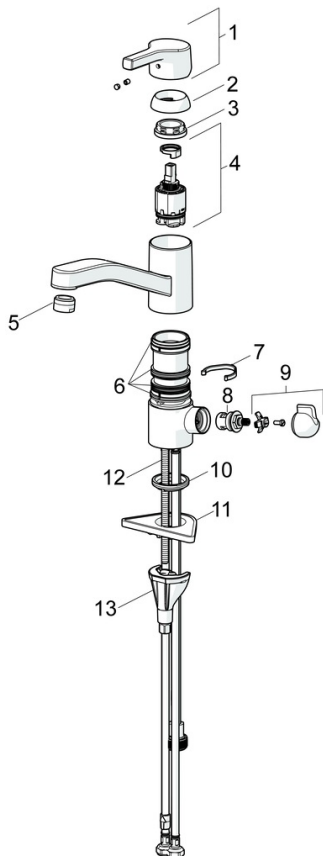


Spare parts



SP56542203

	Name	Code
01	Lever	59914712
02	Covering cap, 33x3 mm	59912504
03	Temperature adjustment limiter	59912325
04	Tightening nut, M37x1, AF30 Discontinued	59912111
05	Cartridge, 3.5 Classic	59913075
06	Spout Discontinued	59914432
07	Aerator, M24x1 HC Discontinued	59914194
08	Sealing kit	1001264V
08	Sealing kit Discontinued	59913968
09	Spout overturning stopper Discontinued	59914437
10	Headpart, G1/2	59914433
11	Handle for washing machine valve Discontinued	59914715
12	Bottom seal	59914591
13	Supporting plate	59910008
14	Fixing screw, M8x1, L=130	59914474
15	Fixing set	59914475



SP56542203(2020)

	Name	Code
01	Lever	59914712
02	Covering cap, 33x3 mm	59912504
03	Tightening nut, M37x1, SW30	1005680V
04	Cartridge, 3.5 Classic	59913075
05	Aerator, M24x1 STD HC A	59902366
06	Sealing kit	1001264V
07	Spout overturning stopper, 120°	59914489
08	Headpart, G1/2	59914433
09	Handle for washing machine valve Discontinued	59914715
10	Bottom seal	59914591
11	Supporting plate	59910008
12	Fixing screw, M8x1, L=130	59914474
13	Fixing set	59914475