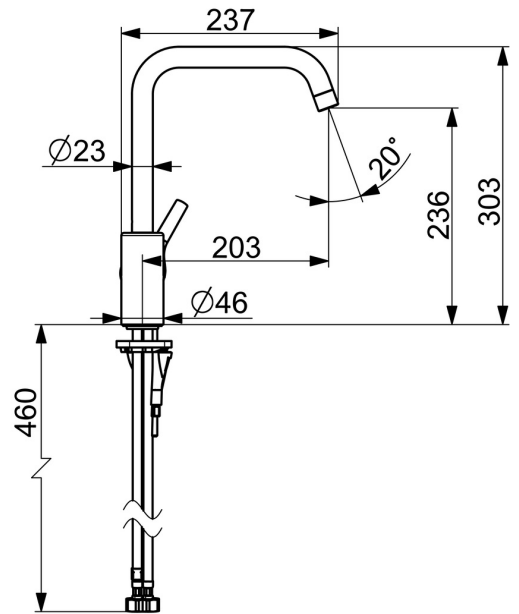
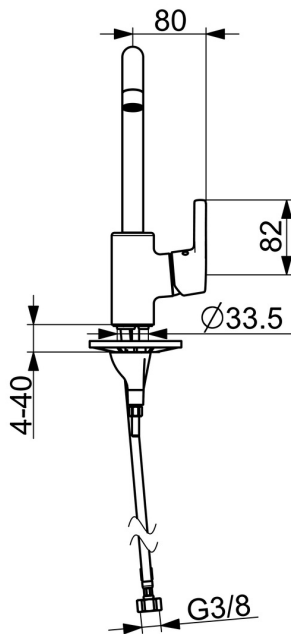
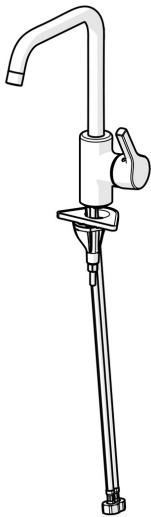


EAN: 4057304012358
static.hansa.com/56522030037



- Kitchen
- Single-lever, side operated
- Deck mounted
- Chrome
- Swivel spout, Swivel range limiting option
- PCA® - constant flow rate regardless of pressure variations
- Hot/Cold symbols, Single operating lever/handle
- Limitation option for maximum temperature and flow-rate, Adjustable hot water stop (included, retrofittable)
- \varnothing 35 mm ceramic cartridge for flow and temperature control
- Flexible inlet pipes
- 3S-installation system for safe and simple mounting



Technical data

Flow properties

Flow-rate at 3 bar (with flow controller) **7.2 l/min**

Technical properties

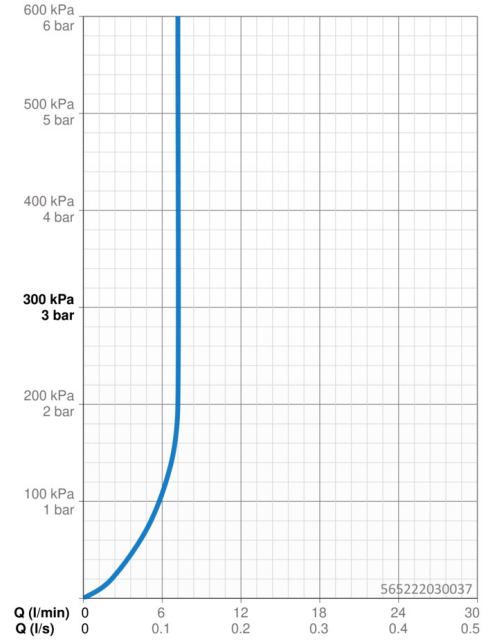
DN-size (nominal dimension) **DN15**
 Hot water supply **max. +80°C**
 Working pressure **0.5-10 bar**
 Connection size **G1/2**
 Projection **203 mm**
 Backflow prevention (EN1717) **AA**
 Material **Brass**

Regulations

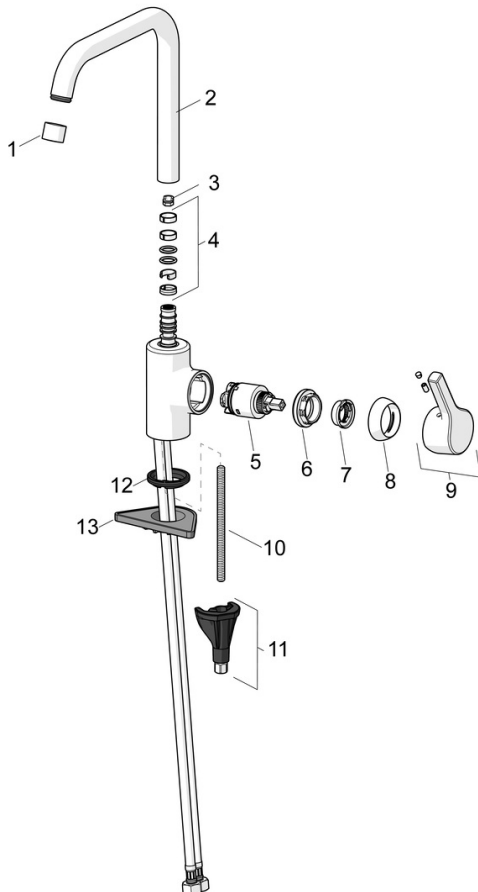
EN standard **EN 817**
 Noise class **I(ISO3822)**

Approvals and Declarations

Declaration of conformity **DoC**



Spare parts



SP565222030037

	Name	Code
01	Aerator, M22x1 STD CC PCA, 7 l/min Discontinued	59914462
02	High spout Discontinued	59914435
03	Spout overturning stopper, 60° / 0°	59914264
03	Spout overturning stopper, 120° Discontinued	59914429
04	Sealing kit for spout	59914431
05	Cartridge, 3.5 Classic	59913075
06	Tightening nut, M40x1	1003409V
07	Temperature adjustment limiter	59912325
08	Covering cap, 33x3 mm	59912504
09	Lever	59914713
10	Fixing screw, M8x1, L=130	59914474
11	Fixing set	59914475
12	Bottom seal	59914591
13	Supporting plate	59910008