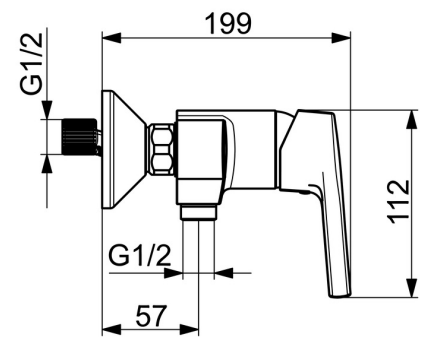
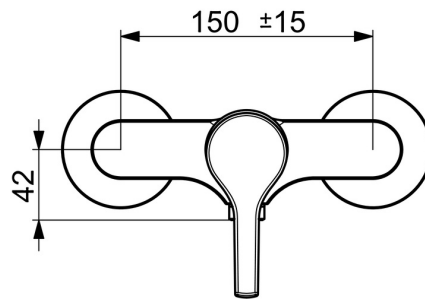
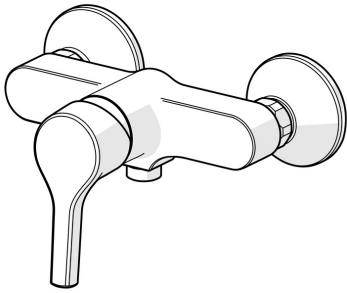


EAN: 4057304012242  
[static.hansa.com/56470103](https://static.hansa.com/56470103)



- Shower solutions
- Single-lever
- Wall mounted
- Chrome
- Hot/Cold symbols, Single operating lever/handle
- Limitation option for maximum temperature and flow-rate, Adjustable hot water stop (included, retrofittable)
- Non-return valve(s),  $\varnothing$  35 mm ceramic cartridge for flow and temperature control
- Eccentric coupling(s)
- Inner body made of DZR brass



## Technical data

### Flow properties

Flow-rate at 3 bar **16.8 l/min**

### Technical properties

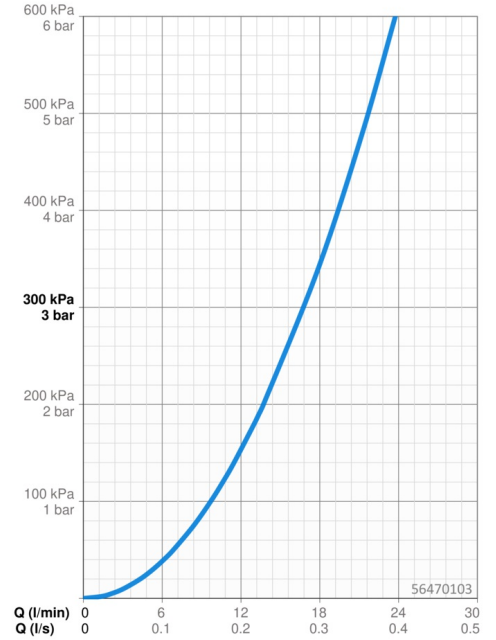
DN-size (nominal dimension) **DN15**  
 Hot water supply **max. +90°C**  
 Working pressure **0.5-10 bar**  
 Connection size **G3/4**  
 Installation width **150 ± 15 mm**  
 Backflow prevention (EN1717) **EB**  
 Material **Brass**

### Regulations

EN standard **EN 817**  
 Noise class **I (ISO 3822)**

### Approvals and Declarations

DVGW **DW-6506CS0548**  
 ABP **PA-IX 38494/IB**  
 Declaration of conformity **DoC**  
 EPD **S-P-06397**



## Spare parts

### SP56470103

|    | Name                           | Code     |
|----|--------------------------------|----------|
| 01 | Lever                          | 59914712 |
| 02 | Covering cap, 33x3 mm          | 59912504 |
| 03 | Temperature adjustment limiter | 59912325 |
| 04 | Tightening nut, M40x1          | 1003409V |
| 05 | Cartridge, 3.5 Classic         | 59913075 |
| 06 | Non-return valve               | 59905714 |

