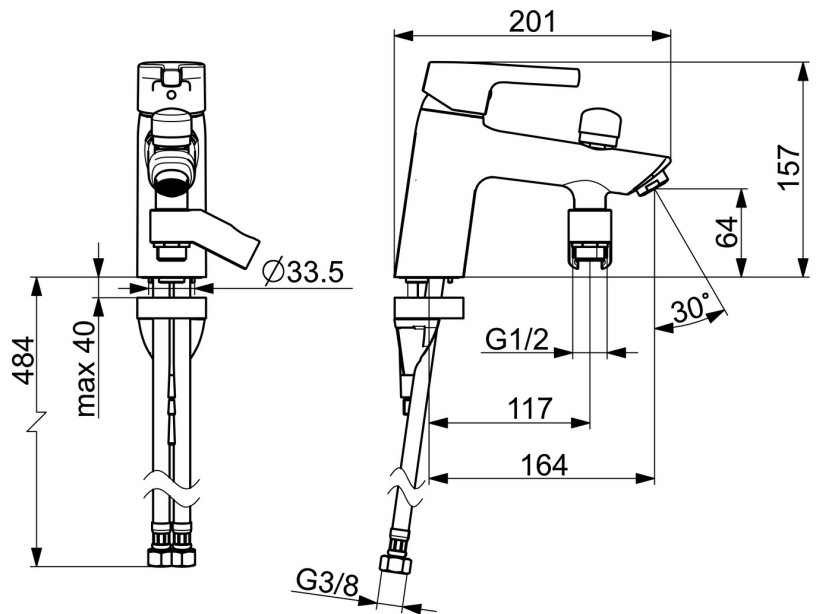
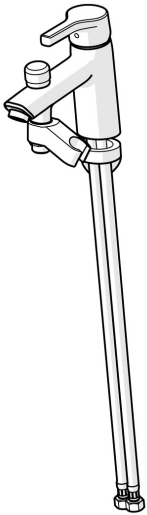


EAN: 4057304011979
static.hansa.com/56462203



- Bathtub & Shower
- Single-lever
- Rim mounted
- Chrome
- Fixed spout
- Standard aerator
- Hot/Cold symbols, Single operating lever/handle
- Pull operated diverter, Automatic reset
- Limitation option for maximum temperature and flow-rate, Adjustable hot water stop (included, retrofittable)
- Non-return valve(s), Mixing valve for manual temperature control, \varnothing 35 mm ceramic cartridge for flow and temperature control
- Flexible inlet pipes
- 3S-installation system for safe and simple mounting



Technical data

Flow properties

Flow-rate at 3 bar **20.4 / 13.2 l/min**

Technical properties

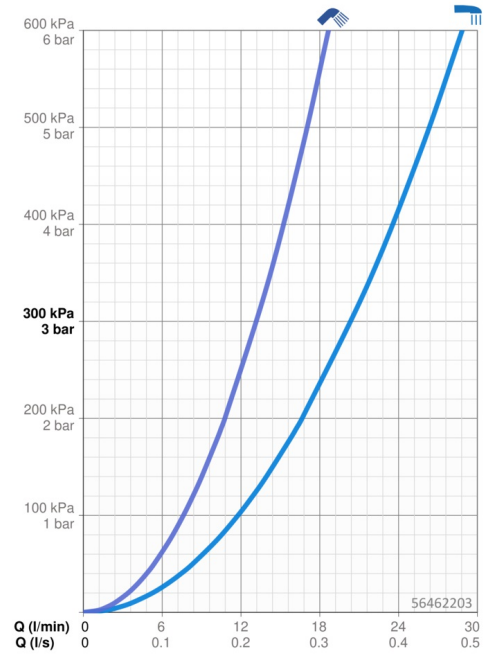
DN-size (nominal dimension) **DN15**
 Hot water supply **max. +70°C**
 Working pressure **0.5-10 bar**
 Connection size **G3/8**
 Projection **164 mm**
 Backflow prevention (EN1717) **EB**
 Material **Brass**

Regulations

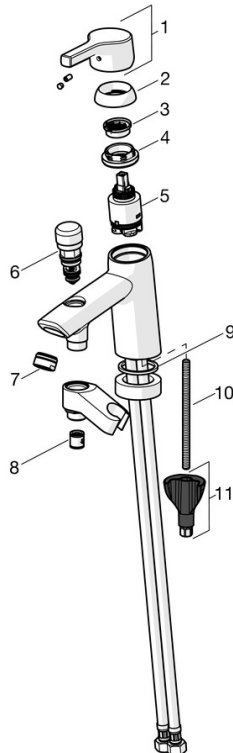
EN standard **EN 817**
 Noise class **II (ISO 3822)**

Approvals and Declarations

Declaration of conformity **DoC**



Spare parts



SP56462203

	Name	Code
01	Lever	59914712
02	Covering cap, 33x3 mm	59912504
03	Temperature adjustment limiter	59912325
04	Tightening nut, M40x1	1003409V
05	Cartridge, 3.5 Classic	59913075
06	Diverter	59912656
07	Aerator, M24x1 D	59911829
08	Non-return valve	59905714
09	Gasket, 43x37x3	59912506
10	Fixing screw, M8x1, L=130	59914474
11	Fixing set	59914475