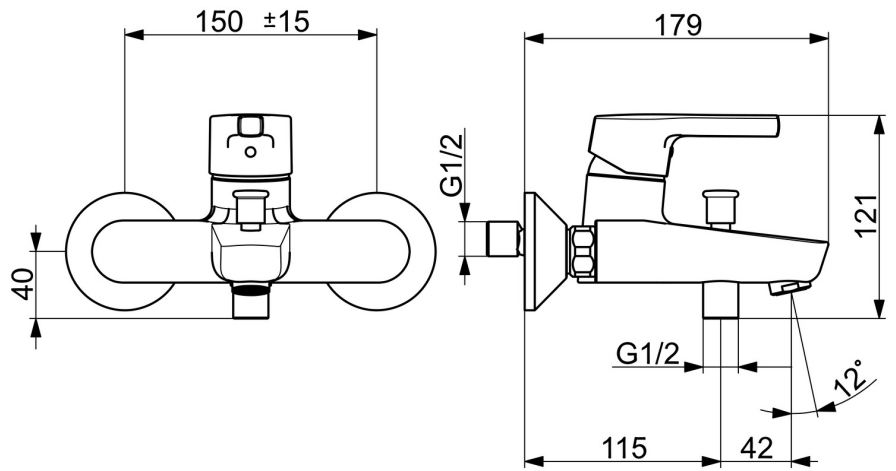
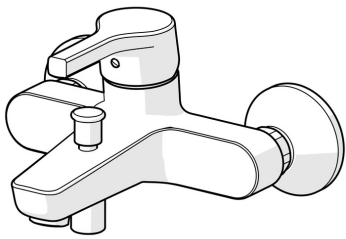


EAN: 4057304012235  
[static.hansa.com/56452103](https://static.hansa.com/56452103)



- Bathtub & Shower
- Single-lever
- Wall mounted
- Chrome
- Fixed spout
- Standard aerator
- Hot/Cold symbols, Single operating lever/handle
- Pull operated diverter, Automatic reset
- Limitation option for maximum temperature and flow-rate, Adjustable hot water stop (included, retrofittable)
- Non-return valve(s),  $\varnothing$  35 mm ceramic cartridge for flow and temperature control
- Eccentric coupling(s)
- Inner body made of DZR brass



## Technical data

### Flow properties

Flow-rate at 3 bar **21.0 / 18.0 l/min**

### Technical properties

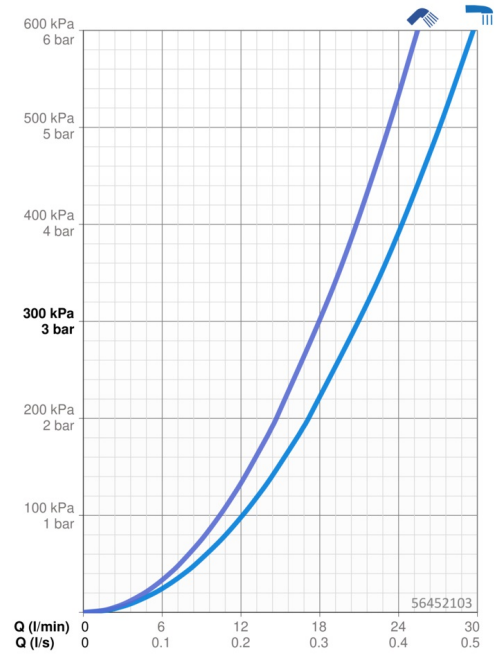
DN-size (nominal dimension) **DN15**  
 Hot water supply **max. +90°C**  
 Working pressure **0.5-10 bar**  
 Connection size **G3/4**  
 Installation width **150 ± 15 mm**  
 Projection **164 mm**  
 Backflow prevention (EN1717) **EB**  
 Material **Brass**

### Regulations

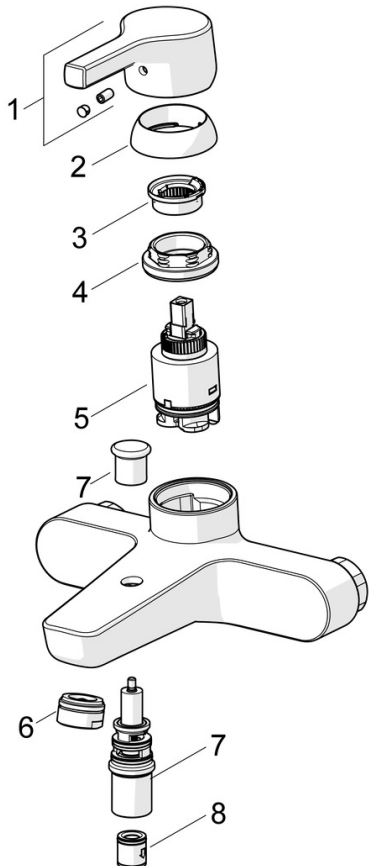
EN standard **EN 817**  
 Noise class **I (ISO 3822)**

### Approvals and Declarations

DVGW **DW-6506CS0548**  
 ABP **PA-IX 38493/IDB**  
 Declaration of conformity **DoC**  
 EPD **S-P-06397**



## Spare parts



### SP56452103

	Name	Code
01	Lever	59914712
02	Covering cap, 33x3 mm	59912504
03	Temperature adjustment limiter	59912325
04	Tightening nut, M40x1	1003409V
05	Cartridge, 3.5 Classic	59913075
06	Aerator, M24x1 D	59911829
07	Diverter	59912706
08	Non-return valve	59905714