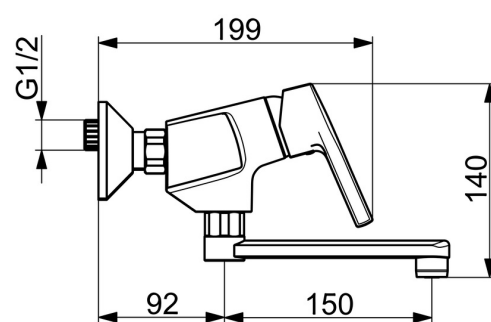
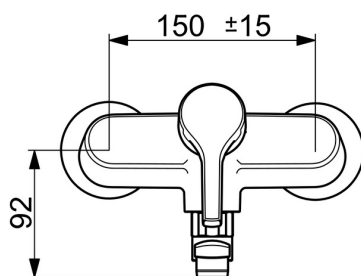
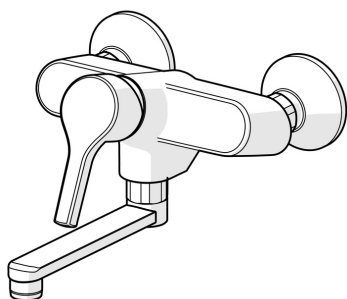


EAN: 4057304012051
static.hansa.com/56382203



- Kitchen
- Single-lever
- Wall mounted
- Chrome
- Swivel spout
- Standard aerator
- Hot/Cold symbols, Single operating lever/handle
- Limitation option for maximum temperature and flow-rate, Adjustable hot water stop (included, retrofittable)
- Non-return valve(s), \varnothing 35 mm ceramic cartridge for flow and temperature control
- Eccentric coupling(s)
- Inner body made of DZR brass



Technical data

Flow properties

Flow-rate at 3 bar **13.2 l/min**

Technical properties

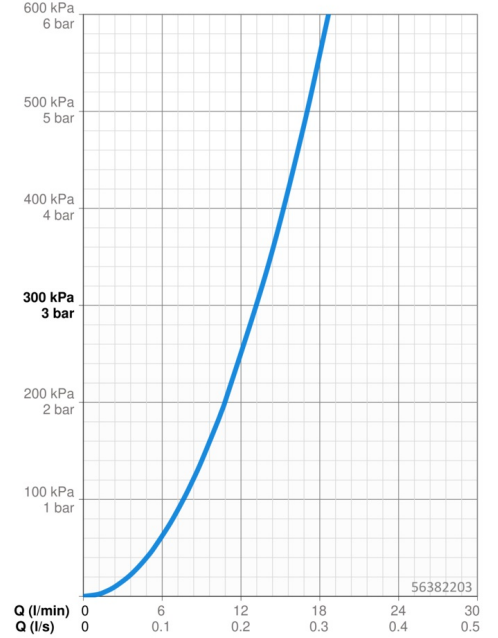
DN-size (nominal dimension) **DN15**
 Hot water supply **max. +80°C**
 Working pressure **0.5-10 bar**
 Connection size **G3/4**
 Installation width **150 ± 15 mm**
 Projection **242 mm**
 Backflow prevention (EN1717) **AA**
 Material **Brass**

Regulations

EN standard **EN 817**
 Noise class **I(ISO3822)**

Approvals and Declarations

Declaration of conformity **DoC**



Spare parts

SP56382203

| | Name | Code |
|------|--------------------------------|----------|
| 01 | Lever | 59914712 |
| 02 | Covering cap, 33x3 mm | 59912504 |
| 03 | Temperature adjustment limiter | 59912325 |
| 04 | Tightening nut, M40x1 | 1003409V |
| 05 | Cartridge, 3.5 Classic | 59913075 |
| 06 | Non-return valve | 59905714 |
| N.I. | Aerator, M22x1 Discontinued | 59914469 |
| N.I. | Spout, L=150 | 59914470 |
| N.I. | Spout, L=200 | 59914471 |

