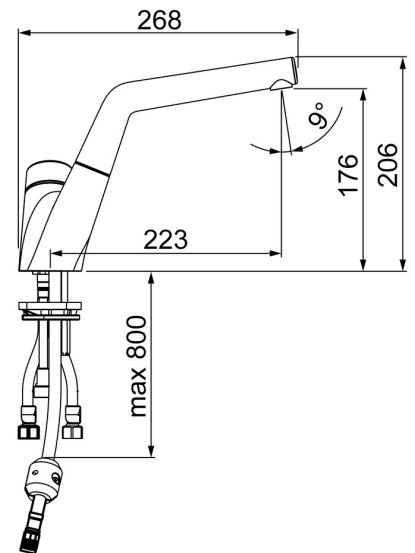
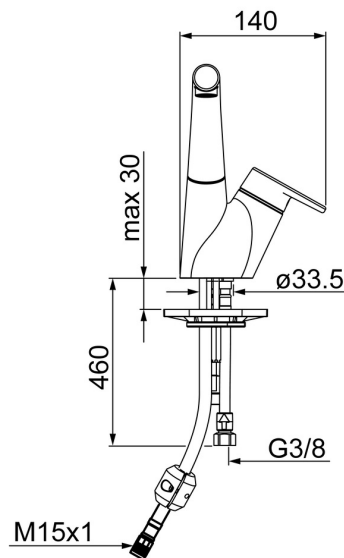
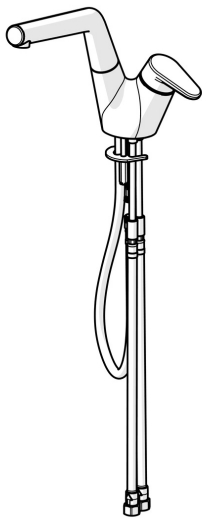


EAN: 4057304002342  
[static.hansa.com/55682203](http://static.hansa.com/55682203)



- Kitchen
- Single-lever
- Deck mounted
- Chrome
- Swivel spout, Pull-out model
- Standard aerator
- Hot/Cold symbols, Single operating lever/handle
- Limitation option for maximum temperature and flow-rate, Adjustable hot water stop (included, retrofittable)
- Litter filter(s), Non-return valve(s),  $\varnothing$  40 mm ceramic cartridge for flow and temperature control
- Flexible inlet pipes
- protected against back-flow in domestic use (according to DIN EN 1717)



## Technical data

### Flow properties

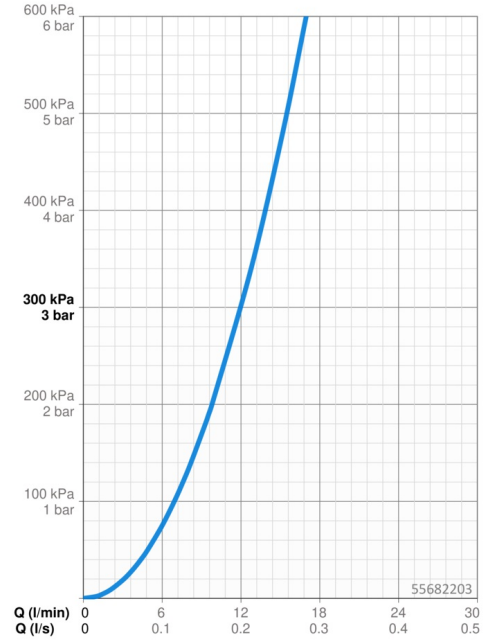
Flow-rate at 3 bar **12.0 l/min**

### Technical properties

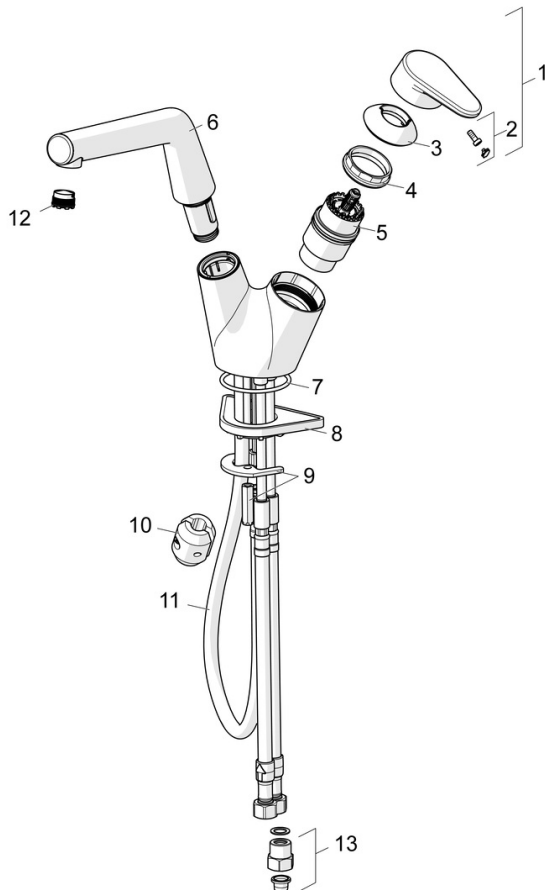
DN-size (nominal dimension) **DN15**  
 Hot water supply **max. +70°C**  
 Working pressure **0.5-10 bar**  
 Connection size **G3/8**  
 Projection **225 mm**  
 Backflow prevention (EN1717) **EB**

### Regulations

EN standard **EN 817**



## Spare parts



### SP55682203

	Name	Code
01	Lever	59914340
02	Symbol plug	59914341
03	Covering cap Discontinued	59914342
04	Tightening nut, M42x1.5, SW 38	59914128
05	Cartridge, 4.0 Classic	59914129
06	Spout Discontinued	59914517
07	O-ring, 53.64x2.62 Discontinued	59914369
08	Supporting plate	59910008
09	Fixing plate with a nut	59914344
10	Counterbalance	59914039
11	Hose, L=1500, G1/2-M15x1	59914345
12	Aerator and key, M18.5x1	59914350
13	One-way valve with litter screen	59914086