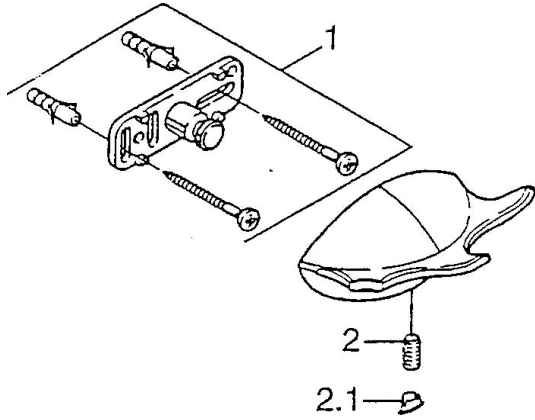


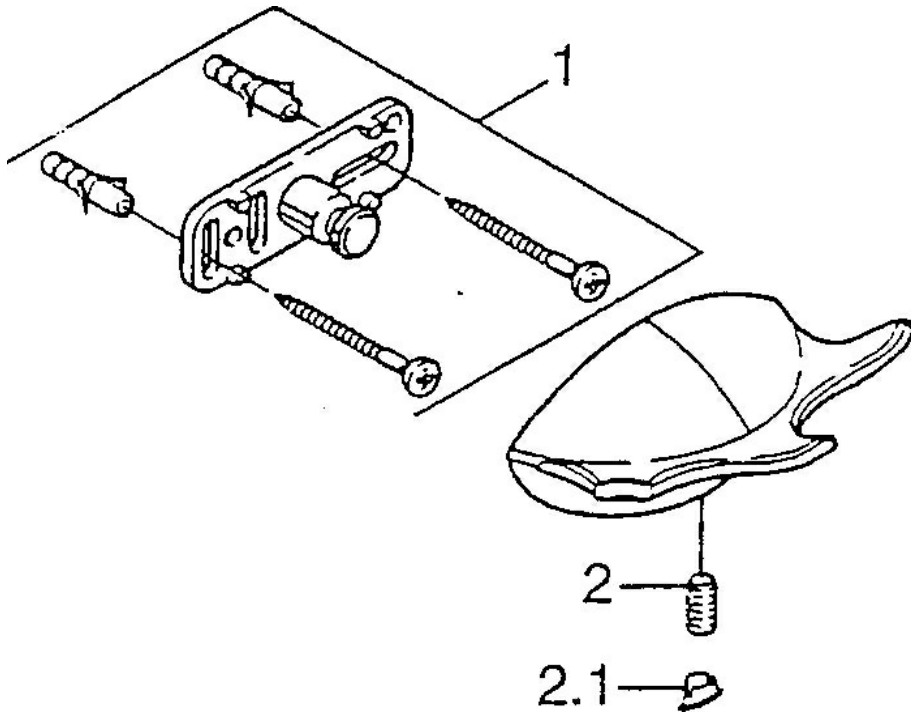
EAN: 4015474001701
static.hansa.com/5545090092



- Bathroom
- Accessories
- Wall mounted

Technical data

Spare parts



SP55450900

	Name	Code
1	Fixing set Discontinued	59911816
2	Pin, M5x8, SW2.5 Discontinued	59911817
2.1	Plug Discontinued	59911818