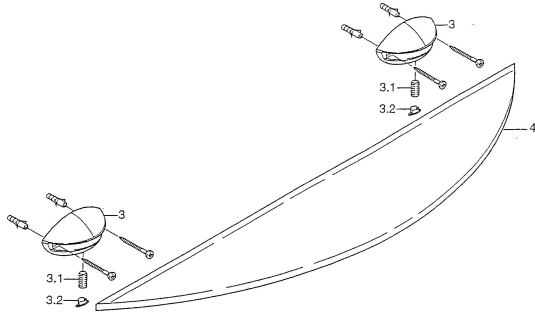


EAN: 4015474001602
static.hansa.com/5543090092

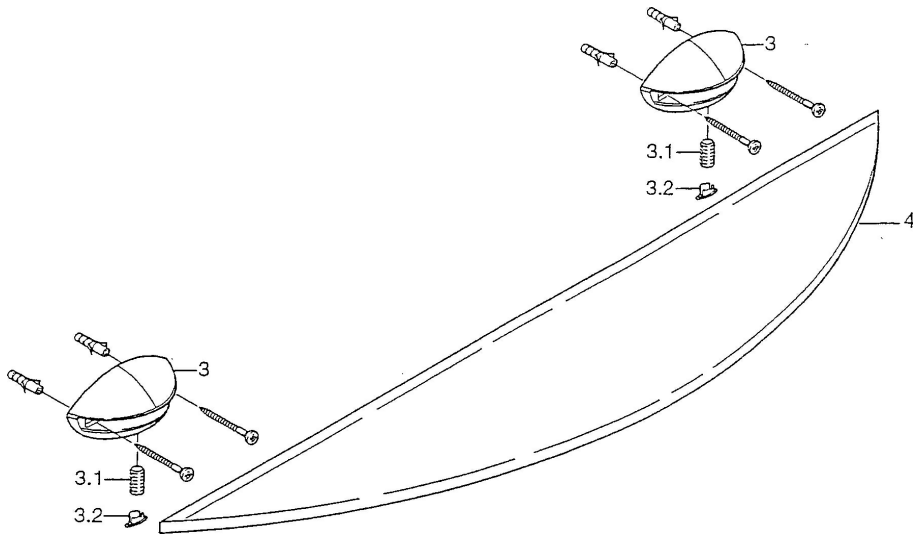


- Accessories

- Wall mounted

Technical data

Spare parts



SP55430900

Name	Code
3.1 Fixing screw, M8x8 Discontinued	59911806
3.2 Plug Chrome/Satin Discontinued	59911808
3.2 Plug Discontinued	59911807