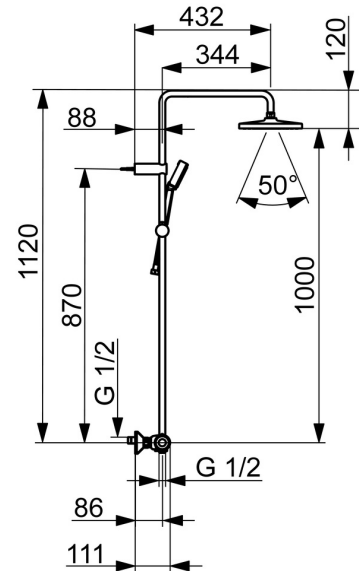
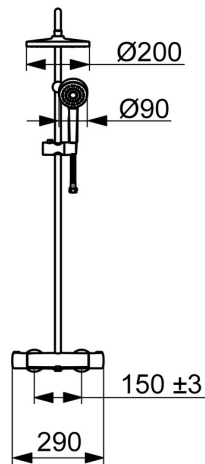
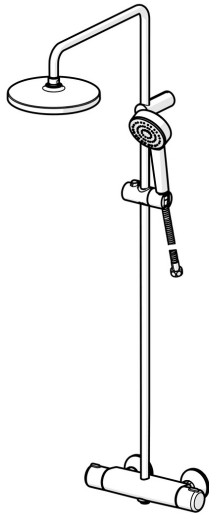


EAN: 4057304019197
static.hansa.com/55350110



Introducing the HANSABASIC shower system – a timeless choice for every modern bathroom. Featuring a sleek chrome finish and wall-mounted installation type, this shower system not only comes with a universal design but also offers outstanding price-performance ratio. The set includes a hand shower, shower rail, overhead shower and a shower hose. The temperature and flow control handle with turn-operated diverter allow for easy adjustments. Enjoy a normal or rain spray type with the even and soft water stream with one spray function. Choose the BASIC line for daily enjoyment in everyday use.

- Shower solutions
- Thermostatic
- Wall mounted
- Chrome
- Temperature control handle, Flow control handle
- Turn operated diverter, Integrated into flow control handle
- Hand shower, Shower rail, Overhead shower, Shower hose (1500 mm), Anti limescale technology (easy to clean)
- Normal - Even and soft water stream, Rain - Even and strong water stream
- Safety stop against scalding at 38°C, The housing of the fittings conducts minimal heat
- Ceramic head part for flow control, Thermostatic cartridge for automatic temperature control, Non-return valve(s), Litter filter(s)
- Eccentric coupling(s), Cover plate(s), Silencer(s)
- Flexible length / can be shortened
- 1 spray function



Technical data

Flow properties

Flow-rate at 3 bar **10.8 / 14.4 l/min**

Technical properties

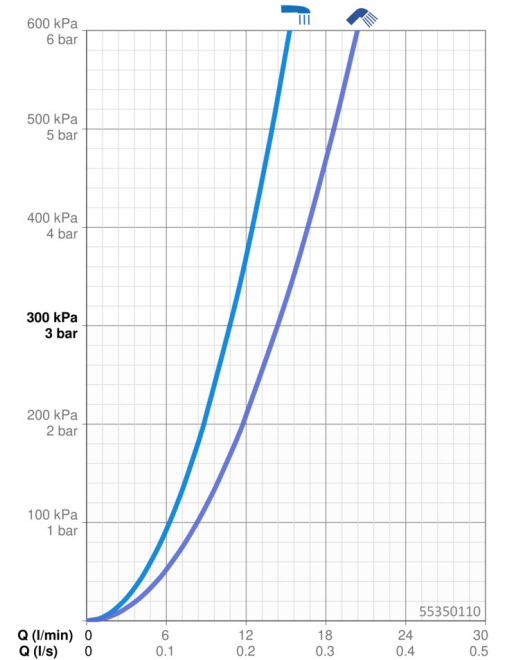
DN-size (nominal dimension) **DN15**
 Hot water supply **max. +65°C**
 Working pressure **1-10 bar**
 Connection size **G1/2**
 Installation width **150 ± 15 mm**
 Backflow prevention (EN1717) **EB**
 Material **Brass**

Regulations

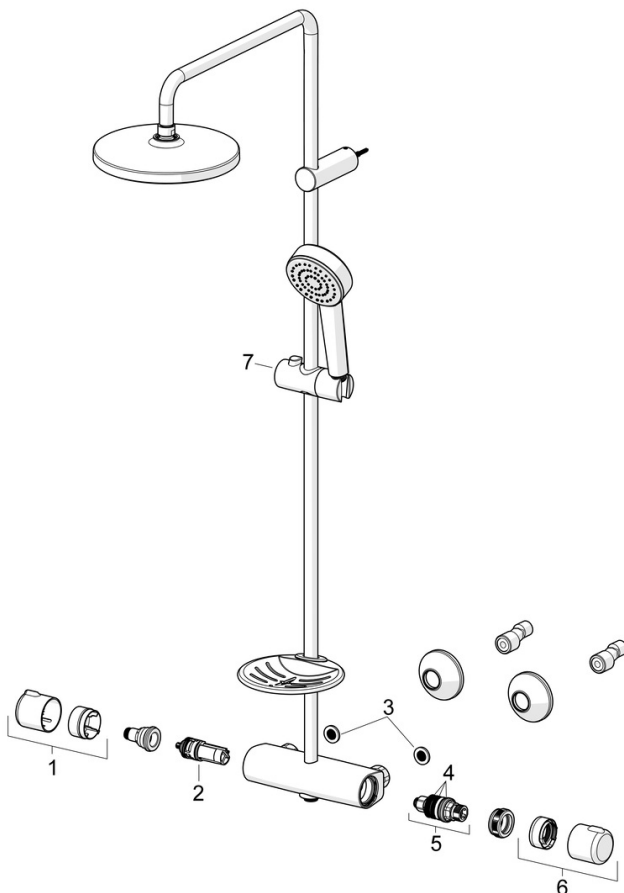
EN standard **EN 1111, EN 1112, EN 1113**

Approvals and Declarations

ABP **PA-IX 10077/IIBO**
 Declaration of conformity **DoC**



Spare parts



SP55350110

	Name	Code
01	Flow control handle	59914397
02	Diverter and cartridge	59914116
03	Filter sealing, G3/4	59911076
04	O-ring kit	59914113
05	Thermostatic cartridge, 3.4	59914114
06	Temperature control handle	59914396
07	Slide for shower rail	1017138V