

Technical data

Flow properties

Flow-rate at 3 bar (with flow controller) **6.0 l/min**

Technical properties

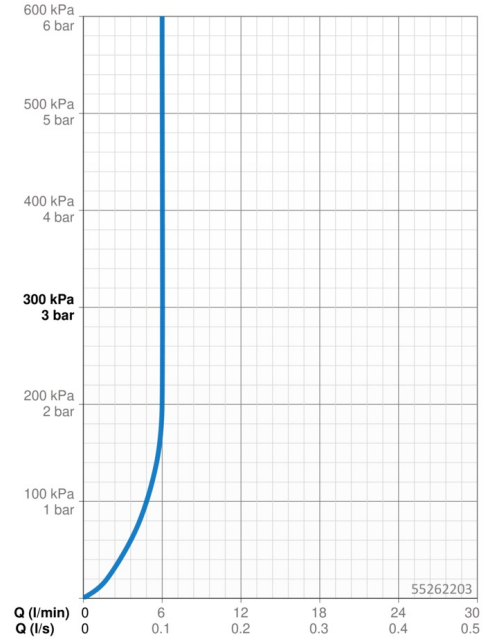
DN-size (nominal dimension) **DN15**
 Hot water supply **max. +70°C**
 Working pressure **0.5-10 bar**
 Connection size **G3/8**
 Projection **115 mm**
 Backflow prevention (EN1717) **AA**
 Material **Brass**

Regulations

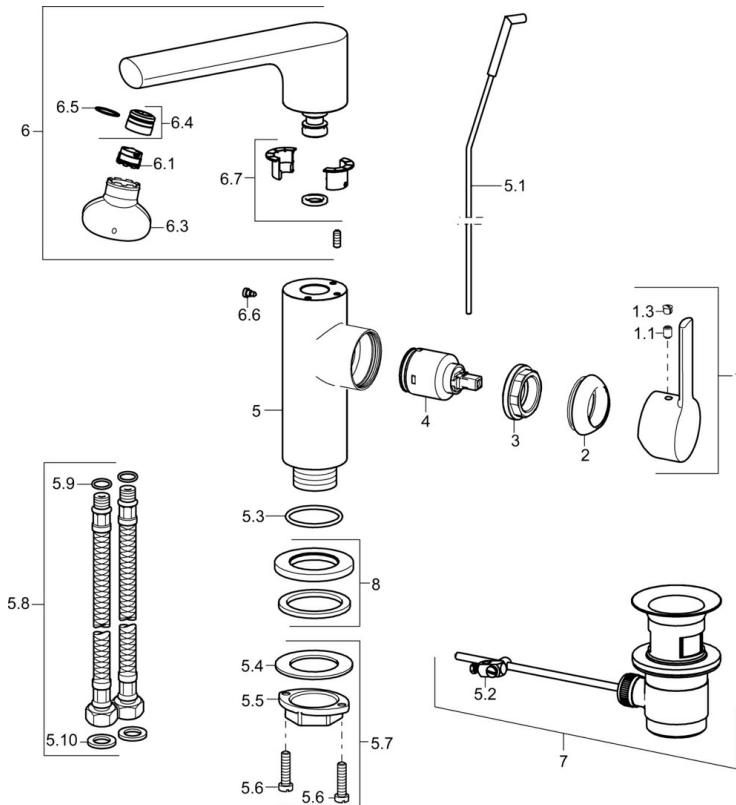
EN standard **EN 817**
 Noise class **I (ISO 3822)**

Approvals and Declarations

ABP **P-IX 29921/10**
 Declaration of conformity **DoC**
 EPD **S-P-06391**



Spare parts



SP55262203

	Name	Code
1	Lever, 2.5	59913985
1.1	Screw, M5x8, SW2.5	59904755
1.3	Symbol plug Grey	59912112
2	Covering cap	59913957
3	Tightening nut, M32x1, SW24	59913958
4	Cartridge, 2.5	59913914
5.1	Pop-up operating rod	59913959
5.2	Swivel joint	59904624
5.3	O-ring, 35x2.5	59905020
5.7	Fixing set	59913371
5.8	Flexible pipe, L=430, G3/8-M8x1	59913964
5.9	O-ring, 6x1.4	59913266
5.10	Gasket, 9.5x14.4x2	59912551
6	Swivel spout with ejector	59913986
6.1	Aerator, M18.5x1, TJ	59913366
6.3	Key for aerator, M18.5	59913367
6.4	Fitting ring for aerator	59913654
6.6	Screw, M4x7	59902075
6.7	Sealing kit	59911884
7	Pop-up waste	59904620
8	Cover flange, d 55 mm	59913963