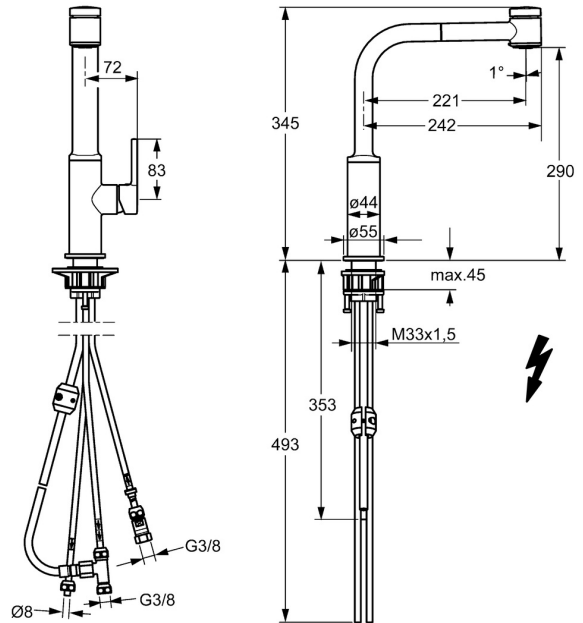
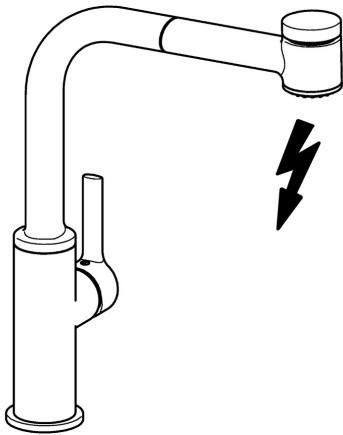


EAN: 4015474261662
static.hansa.com/55231103



- Kitchen
- Single-lever, side operated, Low pressure
- Deck mounted
- Chrome
- Swivel spout, Pull-out model
- Laminar stream, Standard aerator
- Hot/Cold symbols, Single operating lever/handle
- Non-return valve(s), \varnothing 25 mm ceramic cartridge for flow and temperature control
- Copper inlet pipes
- Surfaces in contact with drinking water contain less than 0.3% lead, Inner body made of DZR brass, Waterways without nickel coating
- protected against back-flow in domestic use (according to DIN EN 1717)
- 2 spray functions



Technical data

Technical properties

DN-size (nominal dimension)	DN15
Hot water supply	max. +80°C
Working pressure	0.5-5 bar
Projection	221 mm
Backflow prevention (EN1717)	EB
Material	Brass

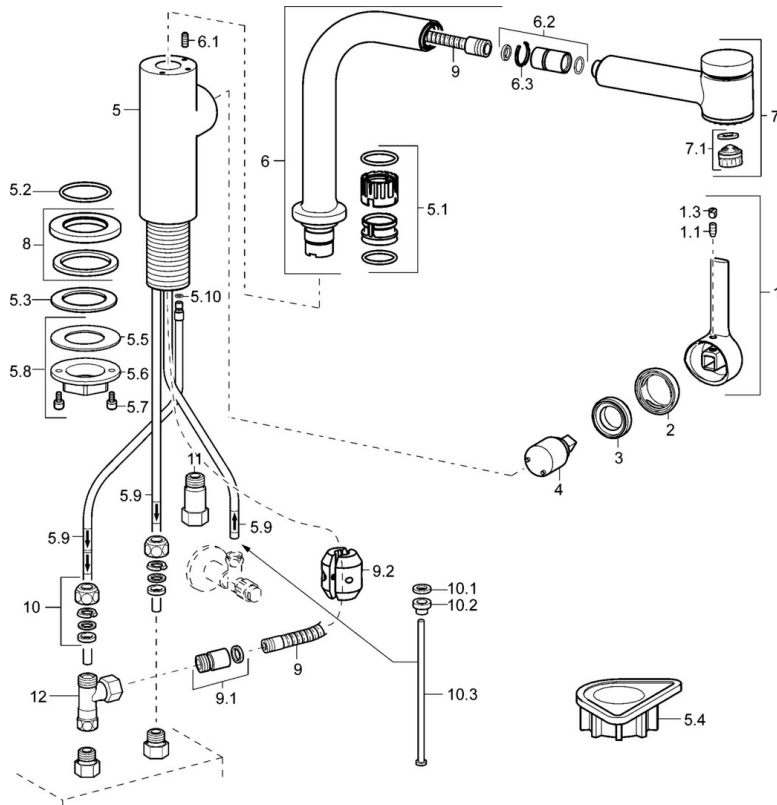
Regulations

EN standard	EN 817
-------------	---------------

Approvals and Declarations

Declaration of conformity	DoC
---------------------------	------------

Spare parts



SP55231103

	Name	Code
1	Lever, 2.5	59913985
1.1	Screw, M5x8, SW2.5	59904755
1.3	Cover plug	59913762
2	Covering cap	59913957
3	Tightening nut, M32x1, SW24	59913958
4	Cartridge, 2.5	59913914
5.1	Sealing kit	59914027
5.2	O-ring, 35x2.5	59905020
5.3	Gasket, 48x33.5x2	59902283
5.4	Supporting plate	59910008
5.8	Fixing set	59913479
5.9	Pipe, M8x1, L=560	59912806
5.10	O-ring, 6x1.4	59913266
6	Spout Discontinued	59914026
6.1	Fixing screw, M4x8	59913989
6.2	Connection nipple	59914029
7	Pull-out spout	59914037
7.1	Aerator, M18.5x1	59913489
7.1	Aerator, M22/M24x1, (-2017) Discontinued	59914038
8	Cover flange, d 55 mm	59913963
9	Hose, L=1400	59914032
9.1	Conversion nipple	59914028
9.2	Counterbalance	59914039
10	Fitting nut	59904969
10.1	Sealing kit, 14.9x8.5x1	59902352
10.2	Sealing kit, 10x8	59902272
10.3	Hose	59902151
11	Non-return valve, G3/8xG3/8	59912107
12	T-connector, M14x1 ND	59913480