

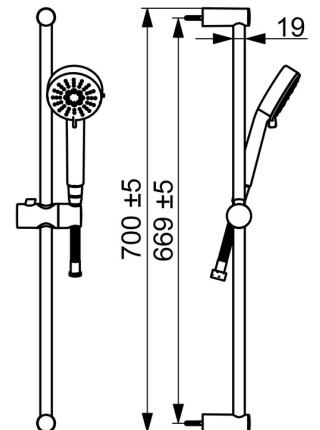
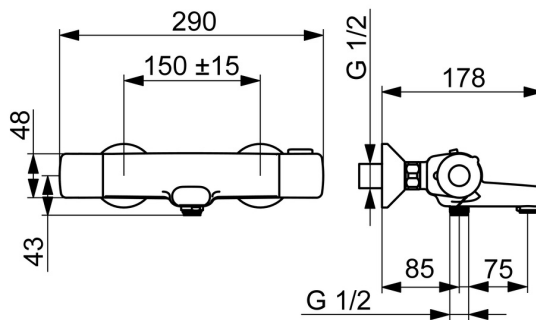
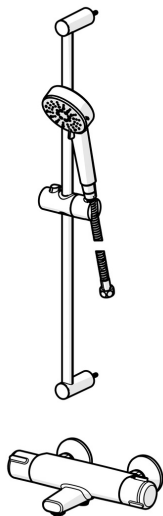
EAN: 4057304019180
static.hansa.com/55162131



Introducing this HANSABASIC thermostat for bath and shower with shower set - a timeless choice for every modern bathroom. Featuring a sleek chrome finish and wall-mounted installation type, this faucet set not only comes with a universal design but also offers outstanding price-performance ratio. The temperature and flow control handle allow for easy adjustments, while the eco and safety features for water temperature ensure efficiency and safety. Enjoy a variety of shower spray types with the 3-spray functions, complete with a hand shower, shower rail and shower hose. Choose the BASIC line for daily enjoyment in everyday use.

58162171 Thermostat for bath and shower
 55780133 Shower set

- Bath tub & Shower
- Thermostatic
- Wall mounted
- Chrome
- Fixed spout
- Standard aerator
- Temperature control handle, Flow control handle, Eco feature for water flow, Safety feature for water temperature
- Turn operated diverter, Integrated into flow control handle
- Hand shower, Shower rail, Shower hose (1500 mm), Eco flow control
- Normal - Even and soft water stream, Refreshing - Strong water stream, activates and refreshes body, Relaxing - Soft water stream, pleasant for entire body
- The housing of the fittings conducts minimal heat, Safety stop against scalding at 38°C
- Thermostatic cartridge for automatic temperature control, Litter filter(s), Ceramic head part for flow control
- Eccentric coupling(s)
- protected against back-flow in domestic use (according to DIN EN 1717)
- 3 spray functions



Technical data

Flow properties

Eco-flow at 3 bar	9.6 l/min
Flow-rate at 3 bar	20.4 / 11.4 l/min

Technical properties

DN-size (nominal dimension)	DN15
Hot water supply	max. +65°C
Working pressure	1-10 bar
Connection size	G1/2
Installation width	150 ± 15 mm
Projection	160 mm
Backflow prevention (EN1717)	EB
Material	Brass/Plastic

Regulations

EN standard	EN 1111
Noise class	II (ISO 3822)

Approvals and Declarations

Declaration of conformity	DoC
---------------------------	------------

