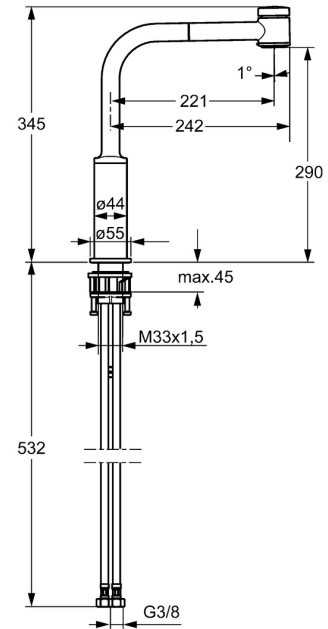
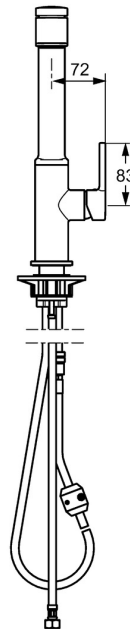
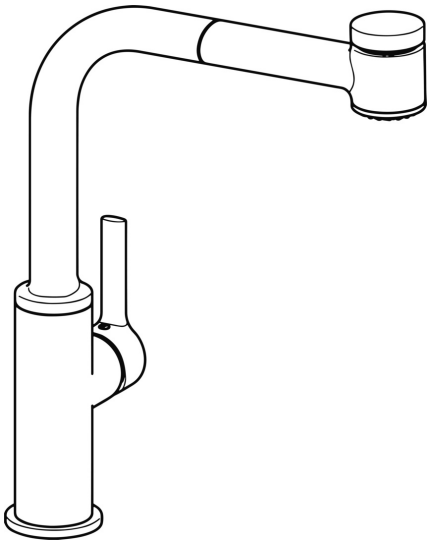
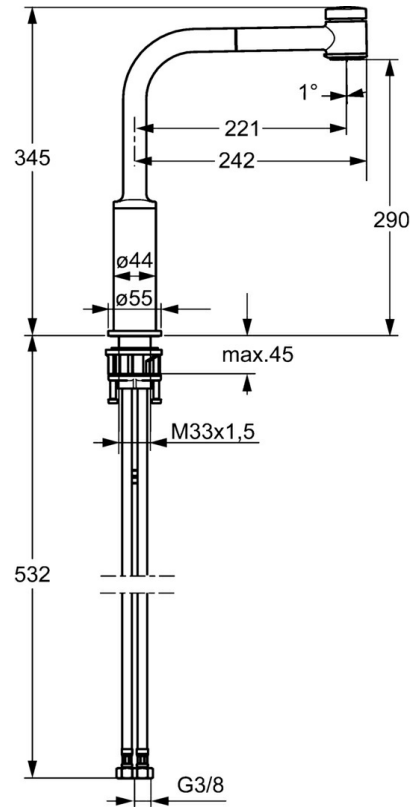


EAN: 4015474263093
static.hansa.com/54912283



- Kitchen
- Single-lever, side operated
- Deck mounted
- Chrome
- Swivel spout, Pull-out model
- Standard aerator
- Hot/Cold symbols, Single operating lever/handle
- Non-return valve(s), \varnothing 25 mm ceramic cartridge for flow and temperature control
- Flexible inlet pipes
- Surfaces in contact with drinking water contain less than 0.3% lead, Inner body made of DZR brass, Waterways without nickel coating
- protected against back-flow in domestic use (according to DIN EN 1717)
- 2 spray functions





Technical data

Flow properties

Flow-rate at 3 bar	9.0 l/min
--------------------	------------------

Technical properties

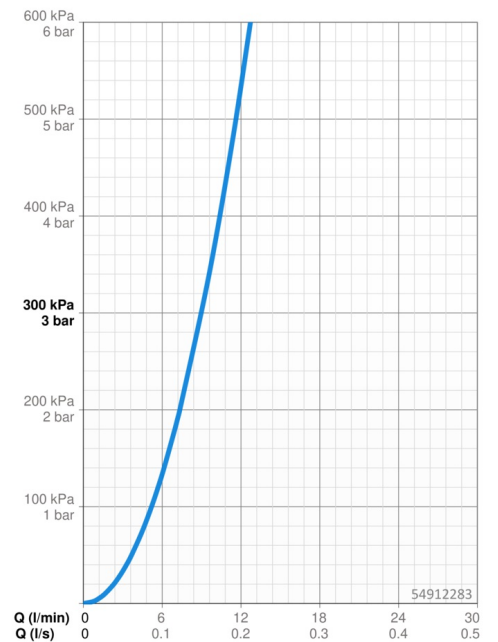
DN-size (nominal dimension)	DN15
Hot water supply	max. +70°C
Working pressure	0.5-10 bar
Connection size	G3/8
Projection	221 mm
Backflow prevention (EN1717)	EB
Material	Brass

Regulations

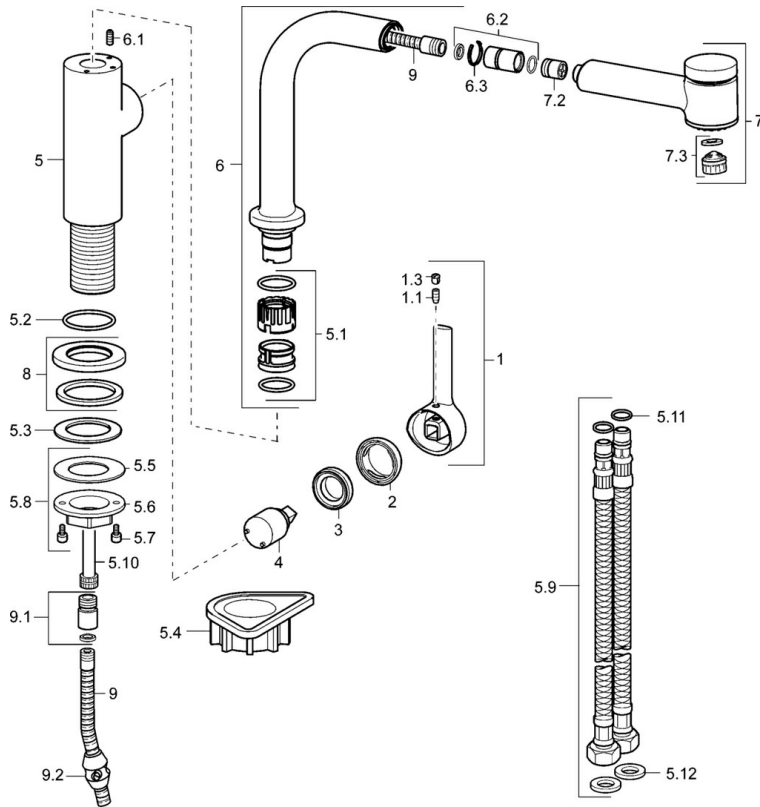
EN standard	EN 817
Noise class	I (ISO 3822)

Approvals and Declarations

ABP	P-IX 29667/IBO
Declaration of conformity	DoC



Spare parts



SP54912283

	Name	Code
1	Lever, 2.5	59913985
1.1	Screw, M5x8, SW2.5	59904755
1.3	Cover plug	59913762
2	Covering cap	59913957
3	Tightening nut, M32x1, SW24	59913958
4	Cartridge, 2.5	59913914
5.1	Sealing kit	59914027
5.2	O-ring, 35x2.5	59905020
5.3	Gasket, 48x33.5x2	59902283
5.4	Supporting plate	59910008
5.8	Fixing set	59913479
5.9	Flexible pipe, M18x1,G3/8, L=650	59914036
5.10	Coupling pipe, M8x1-M14x1, L=214 Discontinued	59914035
5.11	O-ring, 6x1.4	59913266
5.12	Gasket, 9.5x14.4x2	59912551
6	Spout Discontinued	59914026
6.1	Fixing screw, M4x8	59913989
6.2	Connection nipple	59914029
7	Pull-out spout	59914034
7.2	Non-return valve, DN8	59914030
7.3	Aerator, M22/M24 B	59905901
7.3	Aerator, M18.5x1 HC TJ B, (2018-)	59914031
8	Cover flange, d 55 mm	59913963
9	Hose, L=1400	59914032
9.1	Conversion nipple	59914028
9.2	Counterbalance	59914039