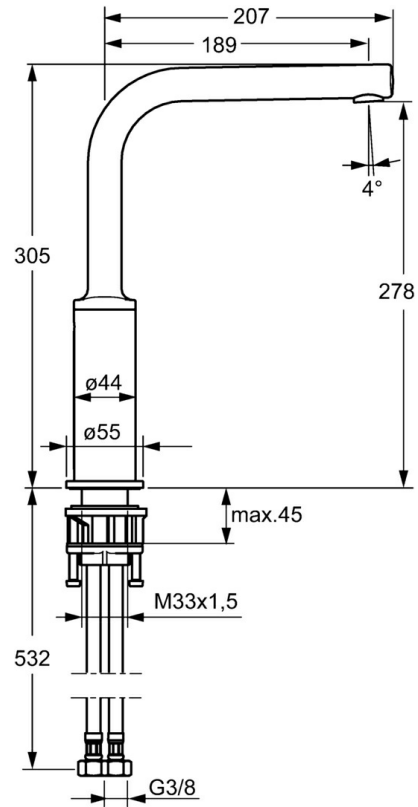
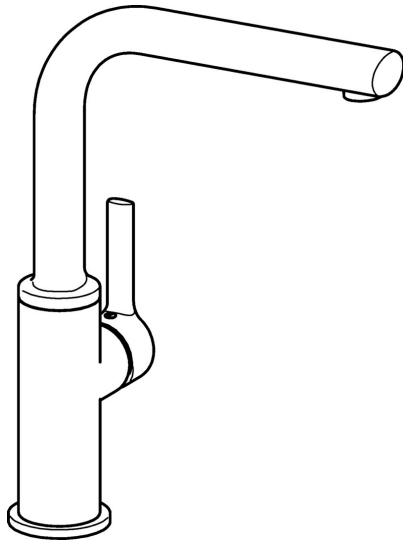


EAN: 4015474263109
static.hansa.com/54902273



- Kitchen
- Single-lever, side operated
- Deck mounted
- Chrome
- Swivel spout
- Standard aerator
- Hot/Cold symbols, Single operating lever/handle
- \varnothing 25 mm ceramic cartridge for flow and temperature control
- Flexible inlet pipes
- Surfaces in contact with drinking water contain less than 0.3% lead, Inner body made of DZR brass, Waterways without nickel coating



Technical data

Flow properties

Flow-rate at 3 bar (with flow controller) **9.0 l/min**

Technical properties

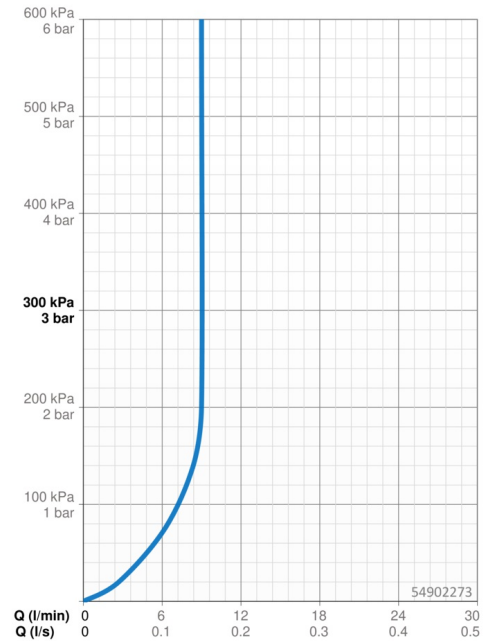
DN-size (nominal dimension) **DN15**
 Hot water supply **max. +70°C**
 Working pressure **1-10 bar**
 Connection size **G3/8**
 Projection **189 mm**
 Material **Brass**

Regulations

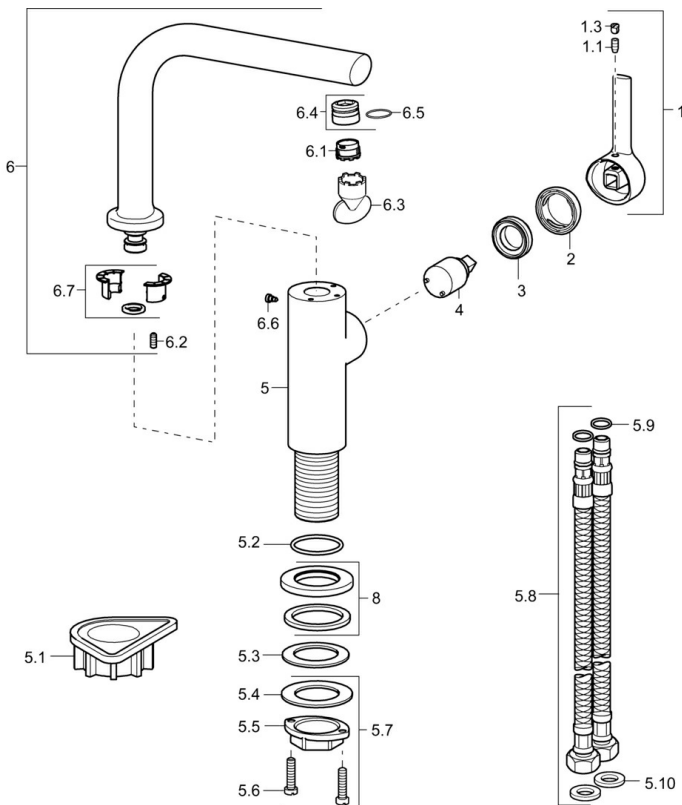
EN standard **EN 817**
 Noise class **I (ISO 3822)**

Approvals and Declarations

ABP **P-IX 29664/IO**



Spare parts



SP54902273

	Name	Code
1	Lever, 2.5	59913985
1.1	Screw, M5x8, SW2.5	59904755
1.3	Cover plug	59913762
2	Covering cap	59913957
3	Tightening nut, M32x1, SW24	59913958
4	Cartridge, 2.5	59913914
5.1	Supporting plate	59910008
5.2	O-ring, 35x2.5	59905020
5.3	Gasket, 48x33.5x2	59902283
5.7	Fixing set	59913371
5.8	Flexible pipe, L=550, G3/8-M8x1	59913969
5.9	O-ring, 6x1.4	59913266
5.10	Gasket, 9.5x14.4x2	59912551
6	Swivel spout with ejector Discontinued	59913990
6.1	Aerator, M18.5x1 GPM-TJ	59913987
6.2	Fixing screw, M4x8	59913989
6.3	Key for aerator, M18.5	59913367
6.4	Fitting ring for aerator	59913654
6.6	Screw, M4x7	59902075
6.7	Sealing kit	59911884
8	Cover flange, d 55 mm	59913963