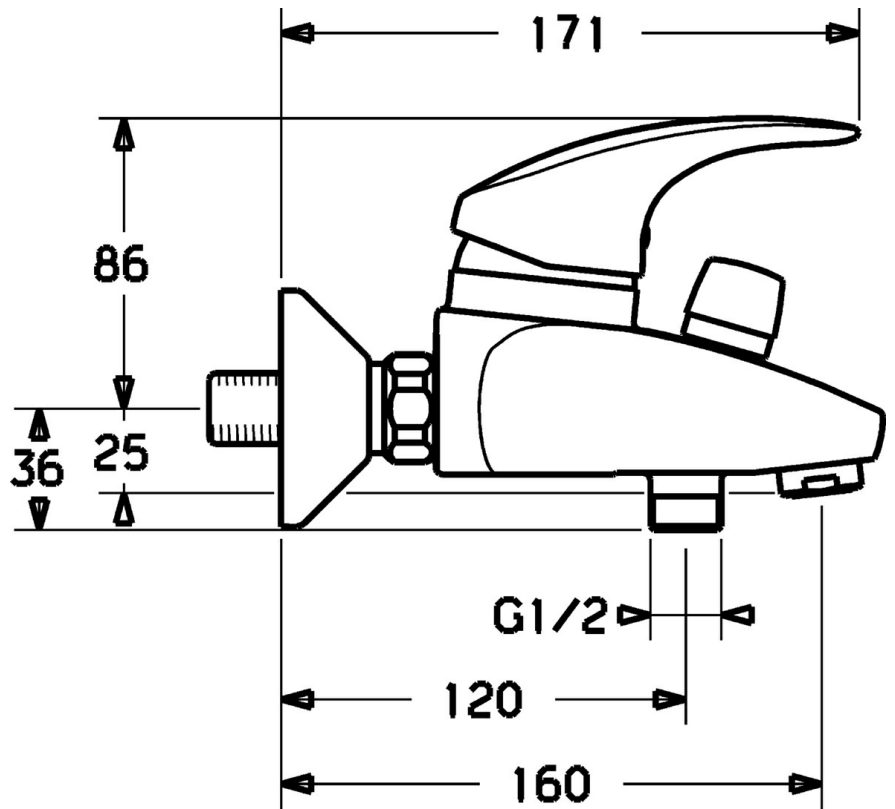
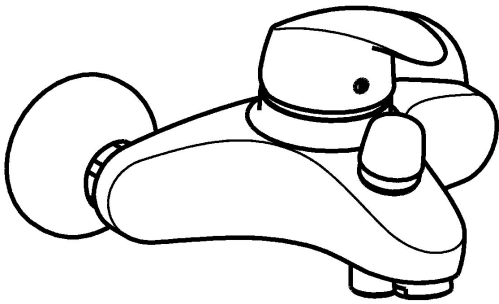


EAN: 4015474078208  
[static.hansa.com/54742103](https://static.hansa.com/54742103)



- Bathtub & Shower
- Single-lever
- Wall mounted
- Chrome
- Standard aerator
- Single operating lever/handle, Hot/Cold symbols
- Limitation option for maximum temperature and flow-rate, Adjustable hot water stop (included, retrofittable)
- $\phi$  48 mm ceramic eco cartridge for flow and temperature control, Non-return valve(s)
- Silencer(s)
- protected against back-flow in domestic use (according to DIN EN 1717)



## Technical data

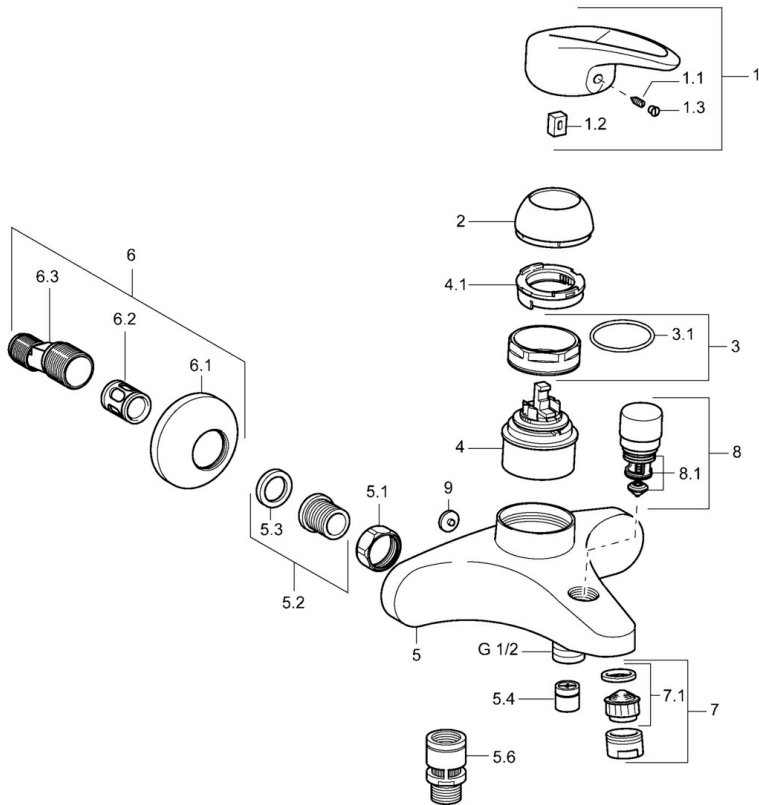
### Technical properties

|                              |                   |
|------------------------------|-------------------|
| Hot water supply             | <b>max. +80°C</b> |
| Working pressure             | <b>0.5-10 bar</b> |
| Backflow prevention (EN1717) | <b>EB</b>         |

### Regulations

|             |               |
|-------------|---------------|
| EN standard | <b>EN 817</b> |
|-------------|---------------|

## Spare parts



### SP54742105

|     | Name                                 | Code       |
|-----|--------------------------------------|------------|
| 1   | Lever Discontinued                   | 5990548875 |
| 1.1 | Screw, M5x8, SW2.5                   | 59904755   |
| 1.2 | Bushing                              | 59904778   |
| 1.3 | Symbol plug Grey                     | 59912112   |
| 2   | Covering cap                         | 59912638   |
| 3   | Eye screw, M50x1, SW45               | 59904775   |
| 3.1 | O-ring, d 43x2.5                     | 59911166   |
| 4   | Cartridge, 4.8 eco                   | 59904601   |
| 4.1 | Hot water limiter                    | 59904759   |
| 5.1 | Connection nut, G3/4, AF30           | 59902230   |
| 5.2 | Seat, G1/2, L, WAF10                 | 59904618   |
| 5.3 | Retaining ring, 23.9x15.2x2          | 59902689   |
| 5.4 | Non-return valve                     | 59905714   |
| 5.6 | Vacuum breaker, DN15                 | 59911330   |
| 6.1 | Cover flange                         | 59912652   |
| 6.2 | Silencer                             | 59904792   |
| 6.3 | Eccentric connector, G3/4xG1/2, DN15 | 59910254   |
| 6.4 | Cover sleeve                         | 59912651   |
| 7   | Aerator, M24x1 B                     | 59905872   |
| 7.1 | Aerator, M22/M24                     | 59905873   |
| 8   | Diverter                             | 59912656   |
| 8.1 | Sealing kit                          | 59904791   |
| 9   | Plug Grey Discontinued               | 59912654   |