



EAN: 4057304020056
static.hansa.com/5460220933

When great design becomes an attraction of its own, you know it will make a difference in your life. Besides bringing beauty to life, this new classic is also designed to bring any modern bathroom to the next level.

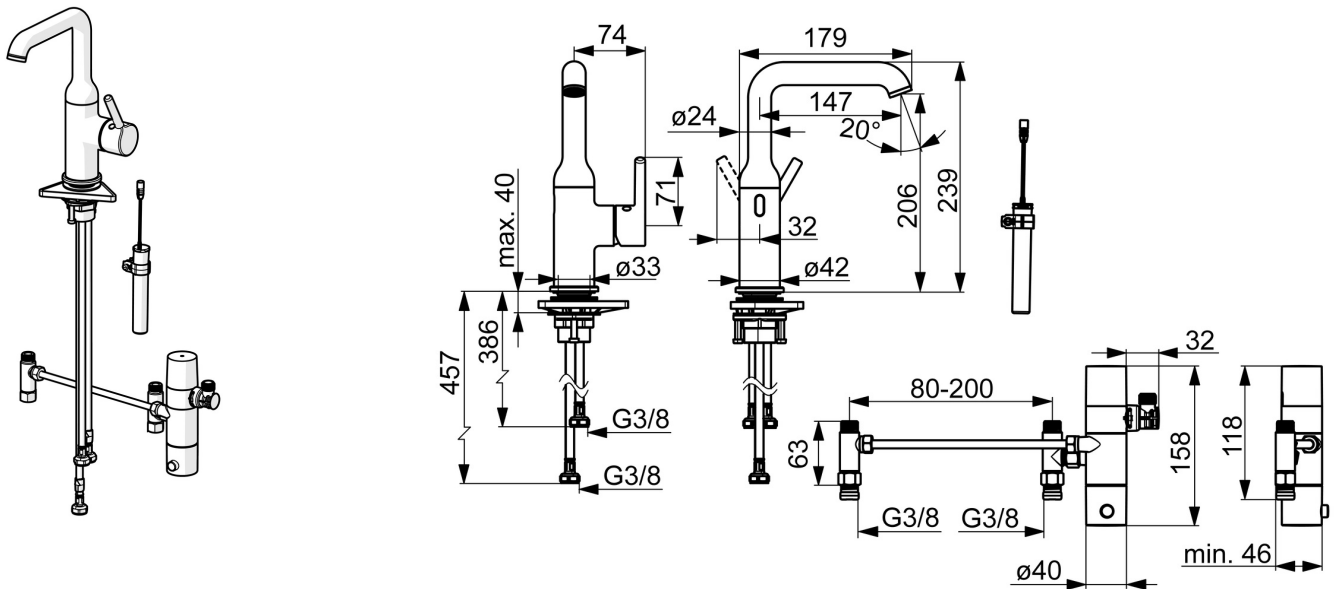
A hybrid faucet offers more flexibility and freedom of use: the user can choose whether they want to wash their hands with the touchless function without touching the lever - or whether they want to open the faucet traditionally with the lever. The hybrid faucet offers more convenience and flexibility in use and is also a sustainable choice: the touchless function consumes less water and energy.

Slender design and graceful shapes make this faucet the highlight of any space.

- Double Comfort
- High quality
- Sleek design
- Anti-limescale rubber aerator for easy cleaning
- Bluetooth®
- Made in Europe

Perfect fit for any bathroom

- Washbasin
- Hybrid, Battery-operated, Bluetooth®
- Deck mounted
- Matt black
- Swivel spout
- Standard aerator, PCA® - constant flow rate regardless of pressure variations
- Single operating lever/handle, Hot/Cold symbols
- Limitation option for maximum temperature and flow-rate, Adjustable hot water stop (included, retrofittable)
- ø 30 mm ceramic cartridge for flow and temperature control
- Advanced PSD sensor, Solenoid valve, Low battery indicator
- Flexible inlet pipes
- Inner body made of DZR brass
- Without pop-up waste



Technical data

Flow properties

Flow-rate at 3 bar (with flow controller) **6.0 l/min**

Technical properties

Hot water supply **max. +70°C**
 Working pressure **1-10 bar**
 Connection size **G3/8**
 Projection **147 mm**
 Backflow prevention (EN1717) **EB**
 Material **Brass**

Software settings

Automatic flush **off (off/1-120 h)**
 Automatic flush period **30 s (1-1800 s)**
 Max. flow period **10 s (1-1800s)**

Electronic properties

Battery **AA 1.5 V Lithium x 2**
 Bluetooth version **5.x (D060576)**

Regulations

EU Directives **C € Radio Equipment Directive 2014/53/EU , Low Voltage Directive 2014/35/EU , EMC Directive 2014/30/EU , RoHS Directive 2011/65/EU**

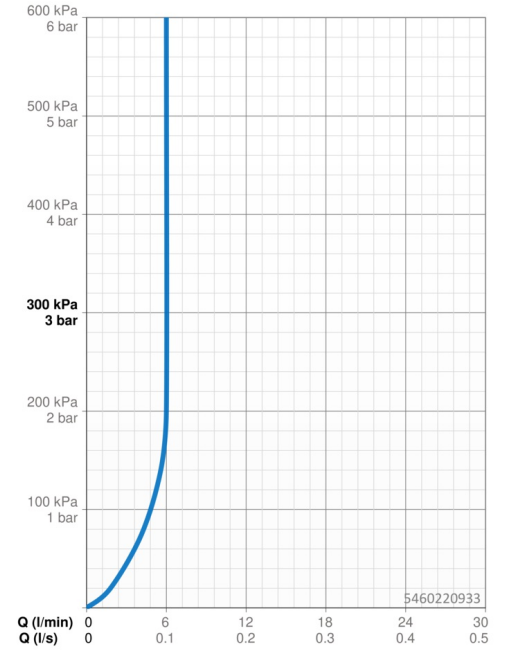
EN standard **EN 817, EN 15091, ETSI EN 301 489-1 V1.9.2 , ETSI EN 300 328 v2.2.2 , EN 61000-6-1:2007 , EN 61000-6-3:2007+A1:2011+AC:2012 , EN 60335-1:2012+A11+A13+A14+A14+A2+A15:2021, Part 19.11.4**

Noise class **I (ISO 3822)**

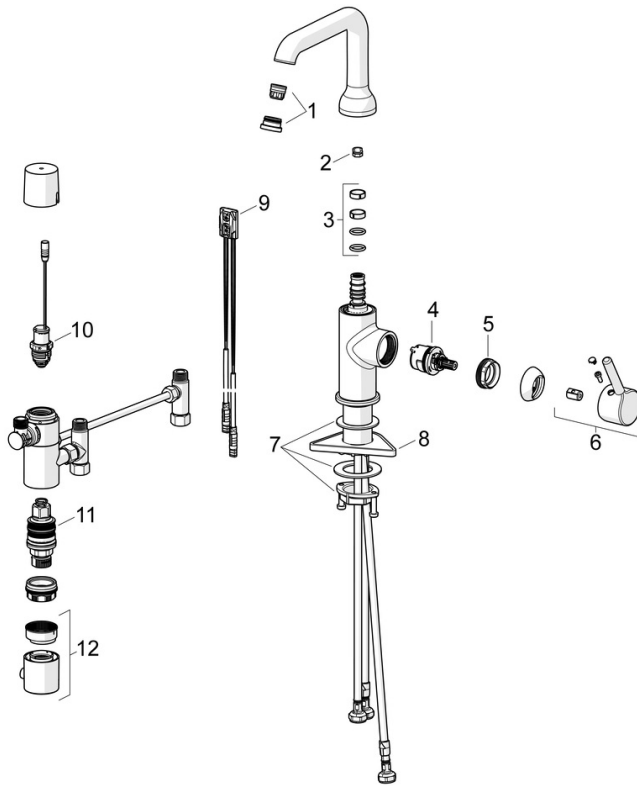
Protection class **IP 55**

Approvals and Declarations

Declaration of conformity **RED**



Spare parts



SP5460220933

	Name	Code
01	Aerator and key, PCA 1.5 gpm Matt black	1012273V-33
02	Spout overturning stopper, 120° Discontinued	59914429
03	Sealing kit for spout	59914266
04	Cartridge, 3.0	1014428V
05	Tightening nut, M34x1.5	1012133V
06	Lever Matt black	1001749V-33
07	Fixing set	59913479
08	Supporting plate	59910008
09	Sensor, 3/9 V, Bluetooth	1014212V
10	Pilot valve, 3 V	59914338
11	Thermostatic cartridge, 3.4	59914114
12	Temperature control handle	602062V
N.I.	Battery, 1.5 V AA Lithium	59914136