

EAN: 4057304017490
static.hansa.com/54602209



When great design becomes an attraction of its own, you know it will make a difference in your life. Besides bringing beauty to life, this new classic is also designed to bring any modern bathroom to the next level.

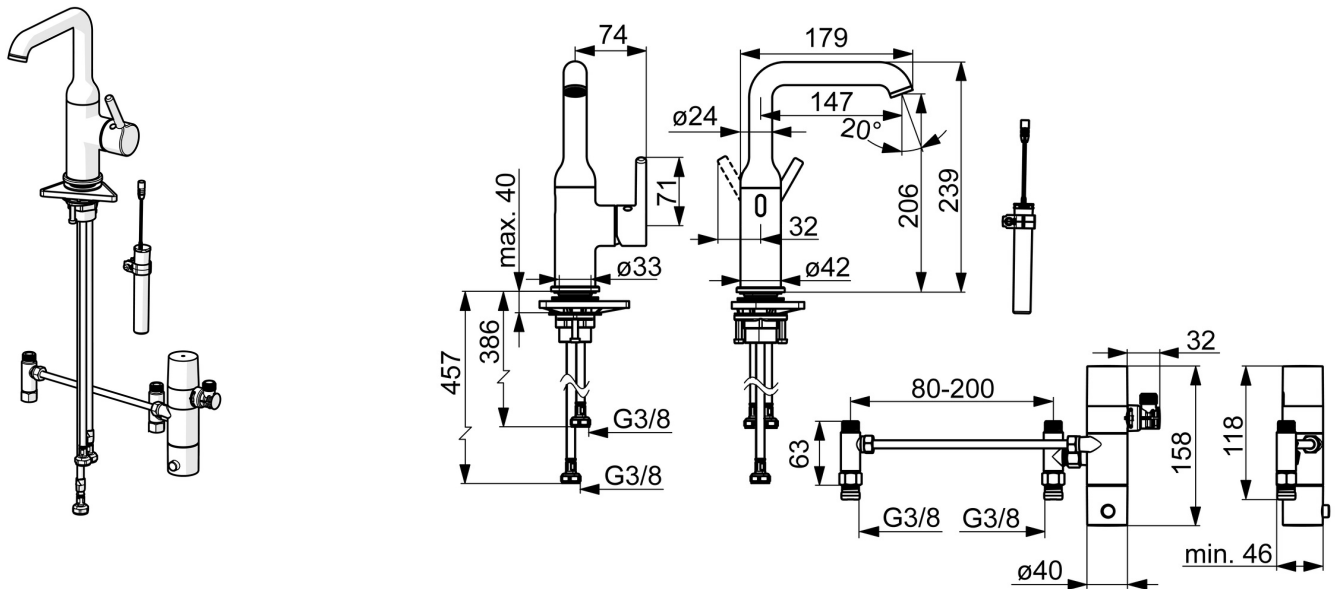
A hybrid faucet offers more flexibility and freedom of use: the user can choose whether they want to wash their hands with the touchless function without touching the lever - or whether they want to open the faucet traditionally with the lever. The hybrid faucet offers more convenience and flexibility in use and is also a sustainable choice: the touchless function consumes less water and energy.

Slender design and graceful shapes make this faucet the highlight of any space.

- Double Comfort
- High quality
- Sleek design
- Anti-limescale rubber aerator for easy cleaning
- Bluetooth®
- Made in Europe

Perfect fit for any bathroom

- Washbasin
- Hybrid, Battery-operated, Bluetooth®
- Deck mounted
- Chrome
- Swivel spout
- Standard aerator, PCA® - constant flow rate regardless of pressure variations
- Single operating lever/handle, Hot/Cold symbols
- Limitation option for maximum temperature and flow-rate, Adjustable hot water stop (included, retrofittable)
- ø 30 mm ceramic cartridge for flow and temperature control
- Advanced PSD sensor, Solenoid valve, Low battery indicator
- Flexible inlet pipes
- Inner body made of DZR brass
- Without pop-up waste



Technical data

Flow properties

Flow-rate at 3 bar (with flow controller) **6.0 l/min**

Technical properties

Hot water supply **max. +70°C**
 Working pressure **1-10 bar**
 Connection size **G3/8**
 Projection **147 mm**
 Backflow prevention (EN1717) **EB**
 Material **Brass**

Software settings

Automatic flush **off (off/1-120 h)**
 Automatic flush period **30 s (1-1800 s)**
 Max. flow period **10 s (1-1800s)**

Electronic properties

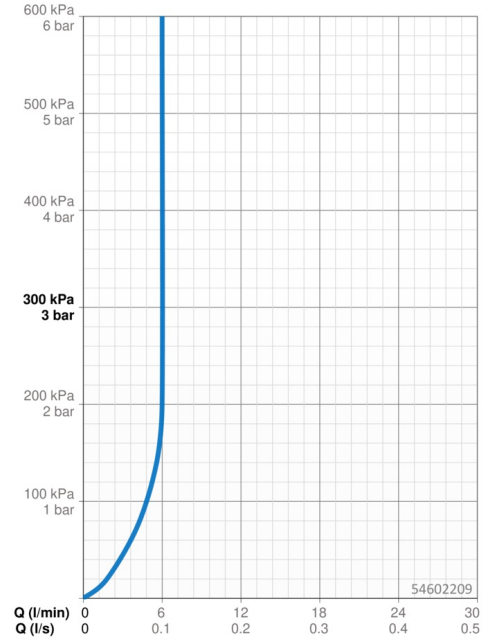
Battery **AA 1.5 V Lithium x 2**
 Bluetooth version **5.x (D060576)**

Regulations

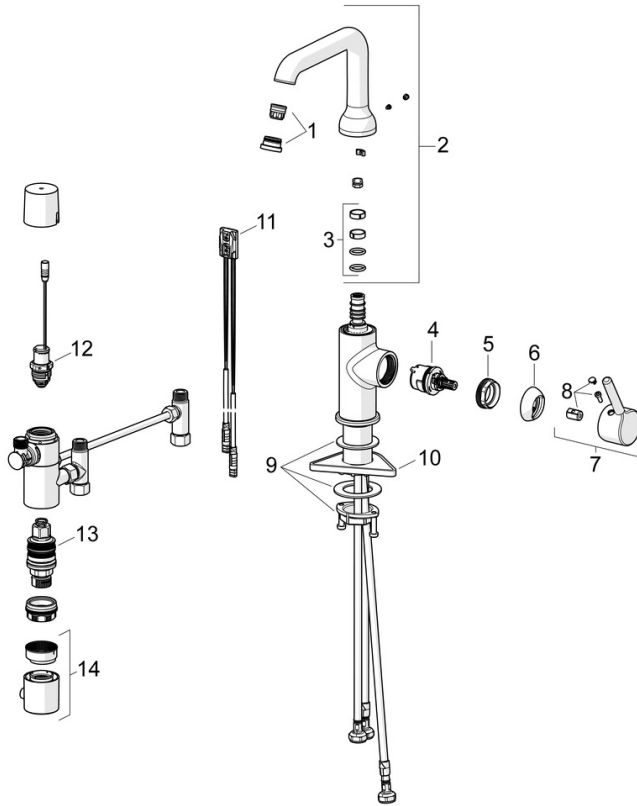
EU Directives **C € Radio Equipment Directive 2014/53/EU , Low Voltage Directive 2014/35/EU , EMC Directive 2014/30/EU , RoHS Directive 2011/65/EU**
 EN standard **EN 817, EN 15091, ETSI EN 301 489-1 V1.9.2 , ETSI EN 300 328 v2.2.2 , EN 61000-6-1:2007 , EN 61000-6-3:2007+A1:2011+AC:2012 , EN 60335-1:2012+A11+A13+A14+A14+A2+A15:2021, Part 19.11.4**
 Noise class **I (ISO 3822)**
 Protection class **IP 55**

Approvals and Declarations

Declaration of conformity **RED**
 EPD **S-P-07818**



Spare parts



SP54602209

	Name	Code
01	Aerator and key, PCA 5.7 l/min	1012273V
02	High spout	1012339V
03	Sealing kit for spout	59914266
04	Cartridge, 3.0	1014428V
05	Tightening nut, M34x1.5	1012133V
06	Covering cap	1012132V
07	Lever	1001749V
08	Symbol plug	1012105V
09	Fixing set	59913479
10	Supporting plate	59910008
11	Sensor, 3/9 V, Bluetooth	1014212V
12	Pilot valve, 3 V	59914338
13	Thermostatic cartridge, 3.4	59914114
14	Temperature control handle	602062V
N.I.	Battery, 1.5 V AA Lithium	59914136