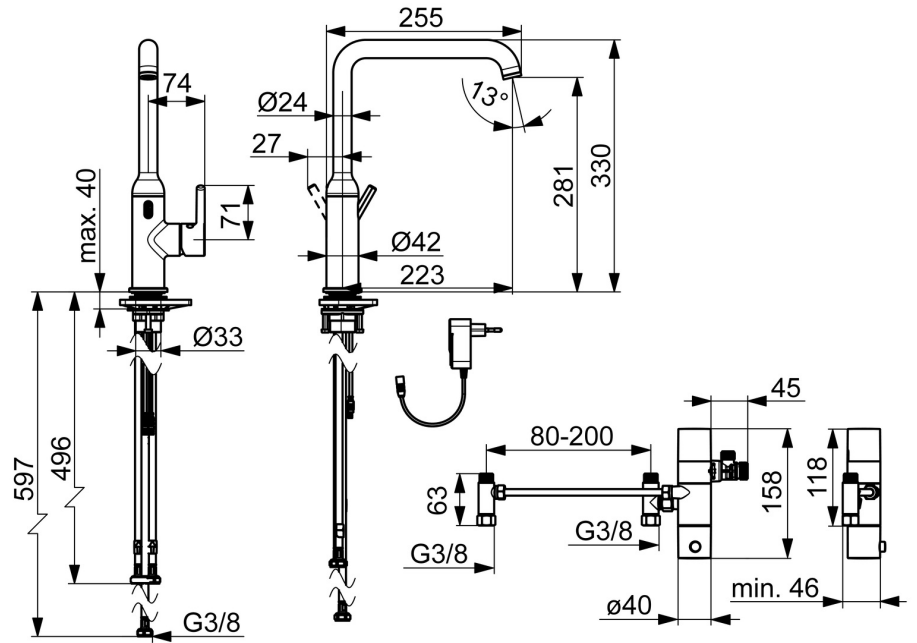
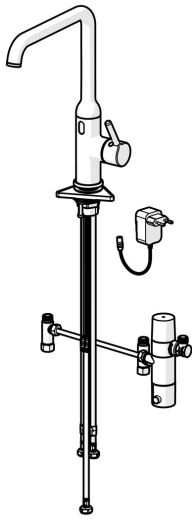


EAN: 4057304022159
static.hansa.com/5421220981



- Kitchen
- Hybrid, Plug transformer, Bluetooth®
- Deck mounted
- Brushed bronze
- Swivel spout
- Standard aerator
- Single operating lever/handle, Hot/Cold symbols
- Limitation option for maximum temperature and flow-rate
- ø 30 mm ceramic eco cartridge for flow and temperature control
- Advanced PSD sensor, Solenoid valve, Power supply
- Flexible inlet pipes
- Inner body made of DZR brass



Technical data

Flow properties

Flow-rate at 3 bar **10.8 l/min**

Technical properties

Hot water supply **max. +70°C**
 Working pressure **0.5-10 bar**
 Connection size **G3/8**
 Projection **255 mm**
 Backflow prevention (EN1717) **EB**
 Material **Brass**

Software settings

Automatic flush **30 s (1-1800 s)**
 Automatic flush period **30 s (1-1800 s)**
 Max. flow period **10 s (1-1800s)**

Electronic properties

Electrical Connection **230 / 9 V**
 Bluetooth version **5.x (D060576)**

Regulations

EU Directives **C € Radio Equipment Directive 2014/53/EU , Low Voltage Directive 2014/35/EU , EMC Directive 2014/30/EU , RoHS Directive 2011/65/EU**

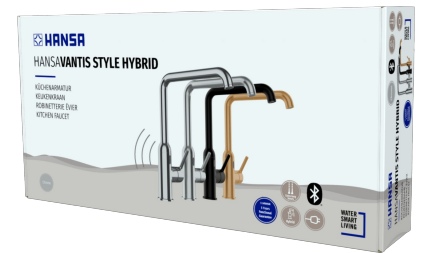
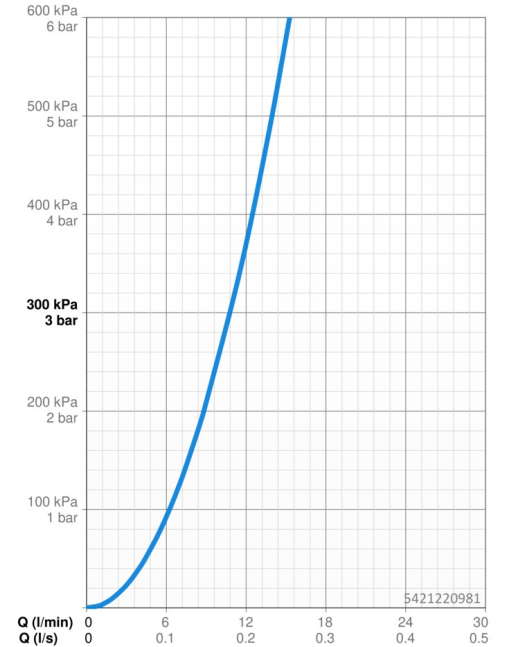
EN standard **ETSI EN 301 489-1 V1.9.2 , ETSI EN 300 328 v2.2.2 , EN 61000-6-1:2007 , EN 61000-6-3:2007+A1:2011+AC:2012 , EN 60335-1:2012+A11+A13+A14+A2+A15:2021, Part 19.11.4**

Noise class **I (ISO 3822)**

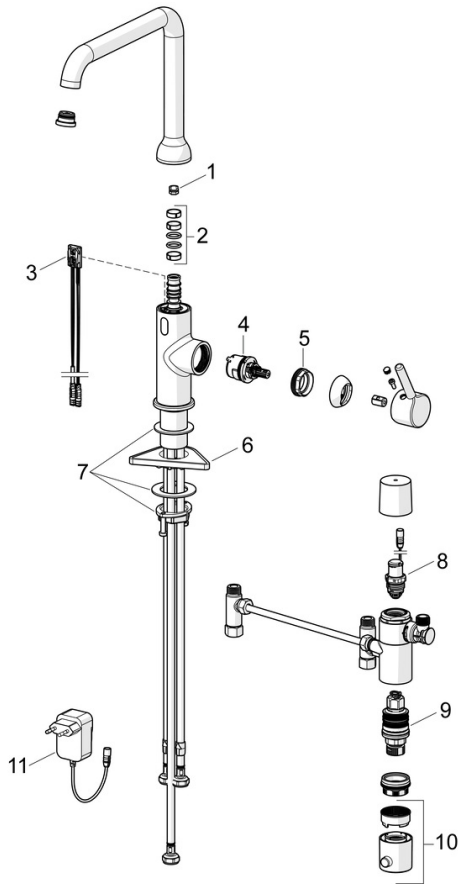
Protection class **IP 55 / transformer IP 20**

Approvals and Declarations

Declaration of conformity **RED**
 EPD **S-P-07817**



Spare parts



SP54212209CLR

	Name	Code
01	Spout overturning stopper, 60° / 0°	59914264
01	Spout overturning stopper, 120° Discontinued	59914429
02	Sealing kit for spout	59914431
03	Sensor, 3/9 V, Bluetooth	1014212V
04	Cartridge, 3.0	1014428V
05	Tightening nut, M34x1.5	1012133V
06	Supporting plate	59910008
07	Fixing set	59913371
08	Pilot valve, 3 V	59914338
09	Thermostatic cartridge, 3.4	59914114
10	Temperature control handle	602062V
11	Power supply, 230/9 V, 550 mA	64490900