

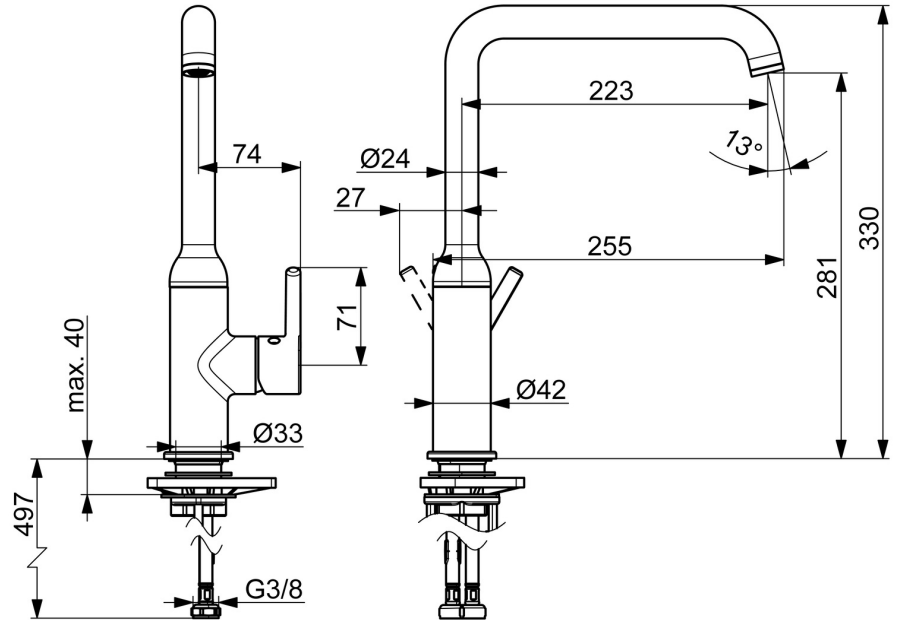
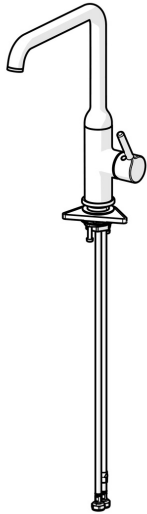
EAN: 4057304019821
static.hansa.com/54202207



When great design becomes an attraction of its own, you know it will make a difference in your life. Besides bringing beauty to life, this new classic is also designed to bring any modern kitchen to the next level. Slender design and graceful shapes make this faucet the highlight of any space.

The pin-shaped, single operating lever/handle with hot/cold symbols and swivel spout make it easy to use. The faucet also features a limitation option for maximum temperature and flow-rate adjustments. The inner body is made of DZR brass, and the mechanical parts include a $\varnothing 30$ mm ceramic cartridge for flow and temperature control. The faucet is equipped with flexible inlet pipes, G3/8 connection size, and has a spout swivel range of 120°. The projection is 255 mm, and the noise class is I (ISO 3822).

- Kitchen
- Single-lever, side operated
- Deck mounted
- Chrome
- Swivel spout
- Standard aerator
- Single operating lever/handle, Pin shape, Hot/Cold symbols
- Limitation option for maximum temperature and flow-rate
- $\varnothing 30$ mm ceramic cartridge for flow and temperature control
- Flexible inlet pipes
- Inner body made of DZR brass



Technical data

Flow properties

Flow-rate at 3 bar **10.2 l/min**

Technical properties

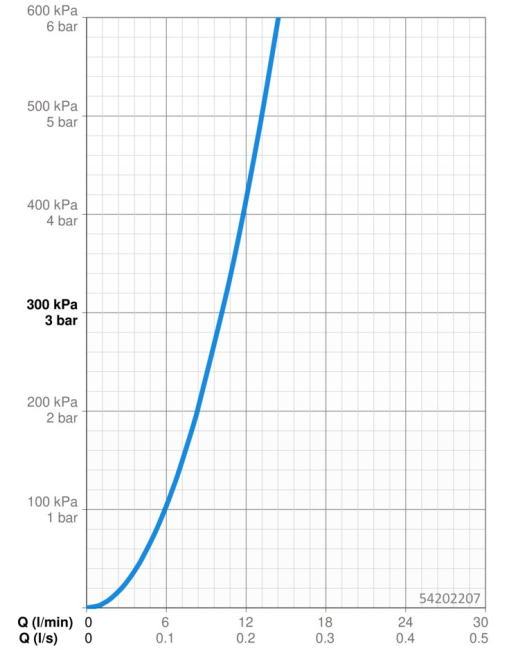
Hot water supply **max. +70°C**
 Working pressure **0.5-10 bar**
 Connection size **G3/8**
 Projection **223 mm**
 Backflow prevention (EN1717) **AA**
 Material **Brass**

Regulations

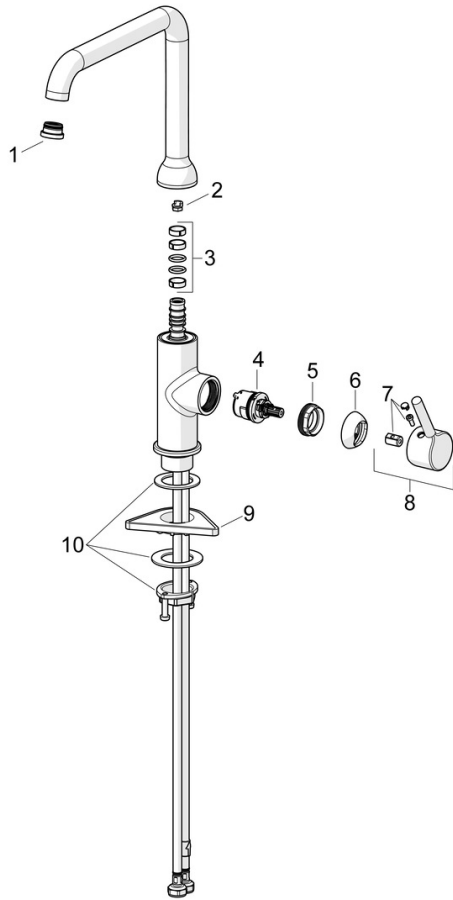
EN standard **EN 817**
 Noise class **I (ISO 3822)**

Approvals and Declarations

Declaration of conformity **DoC**
 EPD **S-P-06396**



Spare parts



SP54202207

	Name	Code
01	Aerator and key, Cascade SLC T J V	1014808V
02	Spout overturning stopper, 60° / 0°	59914264
02	Spout overturning stopper, 120° Discontinued	59914429
03	Sealing kit for spout	59914431
04	Cartridge, 3.0	1014428V
05	Tightening nut, M34x1.5	1012133V
06	Covering cap	1012132V
07	Symbol plug	1012105V
08	Lever	1001749V
09	Supporting plate	59910008
10	Fixing set	59913371