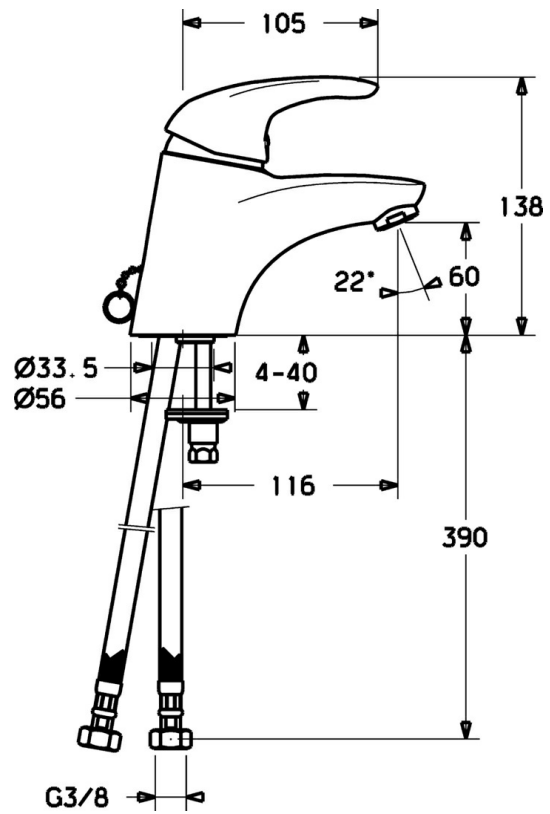


EAN: 4015474076730
static.hansa.com/54042205



- Washbasin
- Single-lever
- Deck mounted
- Chrome
- Fixed spout
- Hot/Cold symbols, Single operating lever/handle
- Chain holder with chain
- Flexible inlet pipes
- Without pop-up waste



Technical data

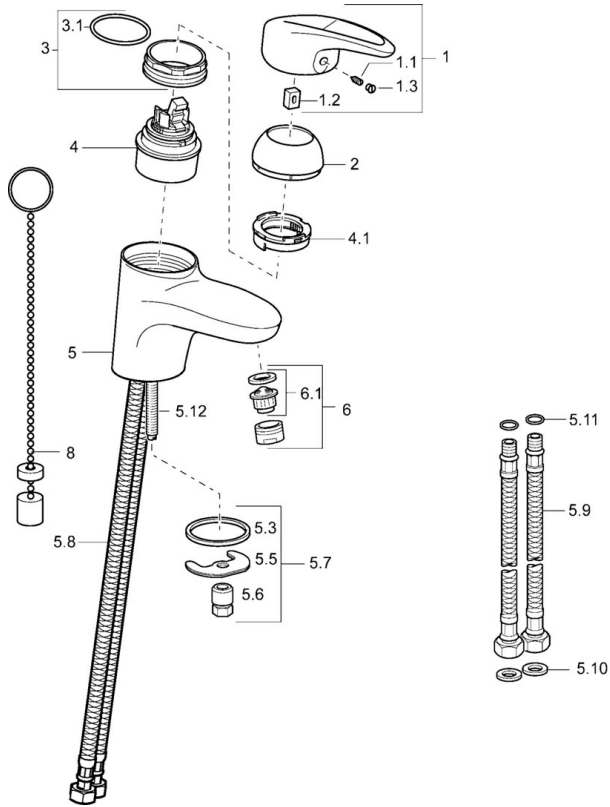
Technical properties

| | |
|-----------------------------|-------------------|
| DN-size (nominal dimension) | DN15 |
| Hot water supply | max. +70°C |
| Working pressure | 0.5-10 bar |
| Connection size | G3/8 |
| Projection | 116 mm |
| Material | Brass |

Regulations

| | |
|-------------|---------------|
| EN standard | EN 817 |
|-------------|---------------|

Spare parts



SP54042205

| | Name | Code |
|------|----------------------------------|------------|
| 1 | Lever Discontinued | 5990548875 |
| 1.1 | Screw, M5x8, SW2.5 | 59904755 |
| 1.2 | Bushing | 59904778 |
| 1.3 | Symbol plug Grey | 59912112 |
| 2 | Covering cap | 59912638 |
| 3 | Eye screw, M50x1, SW45 | 59904775 |
| 3.1 | O-ring, d 43x2.5 | 59911166 |
| 4 | Cartridge, 4.8 eco | 59904601 |
| 4.1 | Hot water limiter | 59904759 |
| 5.3 | Gasket, 37x48x3.5 | 59911422 |
| 5.5 | Fixing plate | 59904765 |
| 5.6 | Screw, M8x1, SW13 | 59904766 |
| 5.7 | Fixing set | 59910749 |
| 5.8 | Hose | 59912709 |
| 5.9 | Flexible pipe, L=430, G3/8-M10x1 | 59912515 |
| 5.10 | Gasket, 9.5x14.4x2 | 59912551 |
| 5.11 | O-ring, d 7.65x1.78 | 59902337 |
| 5.12 | Fixing screw, M8x1, L=140 | 59912474 |
| 6 | Aerator, M24x1 STD HC A | 59902366 |
| 6.1 | Aerator, M22/24 A | 59902081 |
| 8 | Washer with chain holder | 59902219 |
| N.I. | Coupling pipe, L=430, M10x1 | 59912550 |