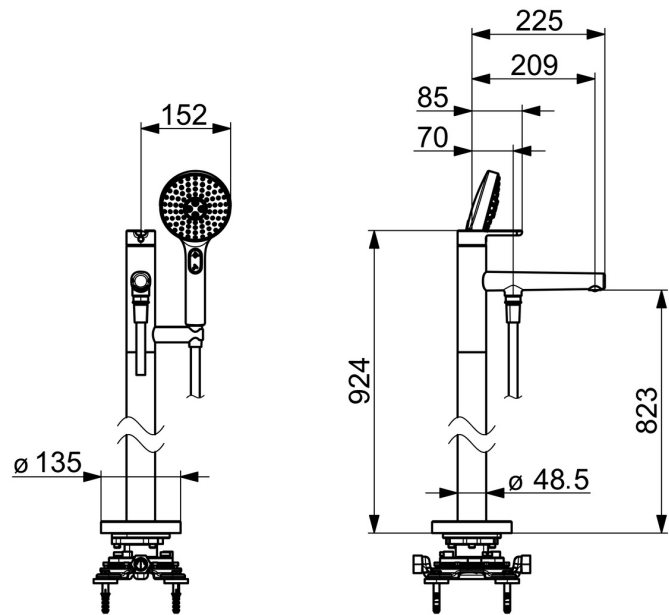
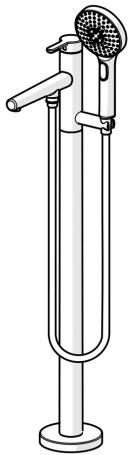


EAN: 4057304006982  
[static.hansa.com/53272083](http://static.hansa.com/53272083)



single-lever bath mixer, DN 15 G1/2

- Bathtub & Shower
- Trim Kit, Single-lever
- Floor standing
- Chrome
- Fixed spout
- Hidden aerator
- Single operating lever/handle, Hot/Cold symbols
- Pull operated diverter, Automatic reset
- Hand shower, Shower holder, Shower hose (1250 mm)
- Pulsating - Strong water stream for massage or body treatment, Intense - invigorating water stream, Sensitive - Gentle water stream
- Adjustable hot water stop (included, retrofittable), Limitation option for maximum temperature and flow-rate
- $\varnothing$  40 mm ceramic cartridge for flow and temperature control, Non-return valve(s)
- protected against back-flow in domestic use (according to DIN EN 1717)
- 3 spray functions



## Technical data

### Flow properties

Flow-rate at 3 bar **20.4 / 13.8 l/min**

### Technical properties

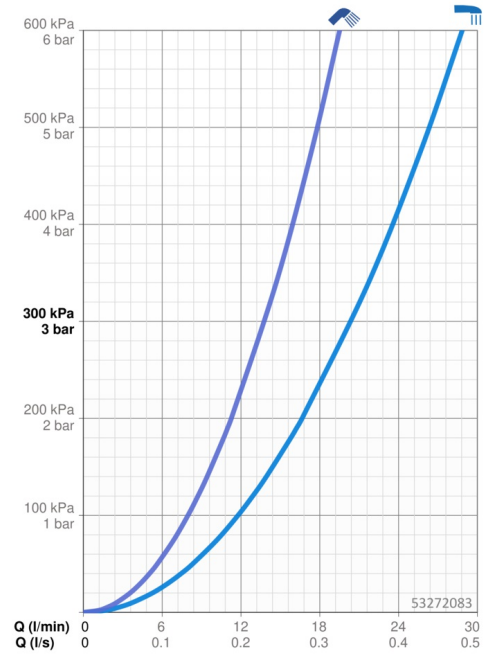
DN-size (nominal dimension) **DN15**  
 Hot water supply **max. +65°C**  
 Working pressure **0.5-10 bar**  
 Projection **209 mm**  
 Backflow prevention (EN1717) **EB**  
 Material **Brass**

### Regulations

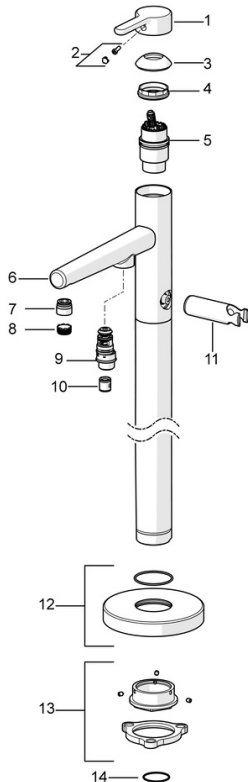
EN standard **EN 817, EN 1112, EN 1113**  
 Noise class **I (ISO 3822)**

### Approvals and Declarations

Declaration of conformity **DoC**



## Spare parts



### SP53272083

	Name	Code
01	Lever	59914574
02	Symbol plug	59914573
03	Covering cap	59914649
04	Tightening nut, M42x1.5, SW 38	59914128
05	Cartridge, 4.0 Classic	59914129
06	Spout Discontinued	59914661
07	Fitting ring for aerator	59914645
08	Aerator, M18.5x1	59914662
09	Diverter	59914663
10	Non-return valve	59905714
11	Hand shower holder Discontinued	59913718
12	Cover plate Discontinued	59914664
13	Fixing set Discontinued	59913723
14	O-ring, d 35x2	59913715