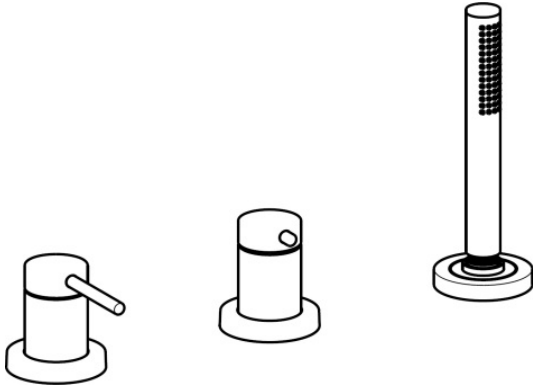


EAN: 4015474185814  
[static.hansa.com/53259078](https://static.hansa.com/53259078)

- Bathtub & Shower
- Trim Kit, Single-lever
- Rim mounted
- Chrome
- Shower hose (1750 mm)
- Litter filter(s), Non-return valve(s)
- 1 spray function

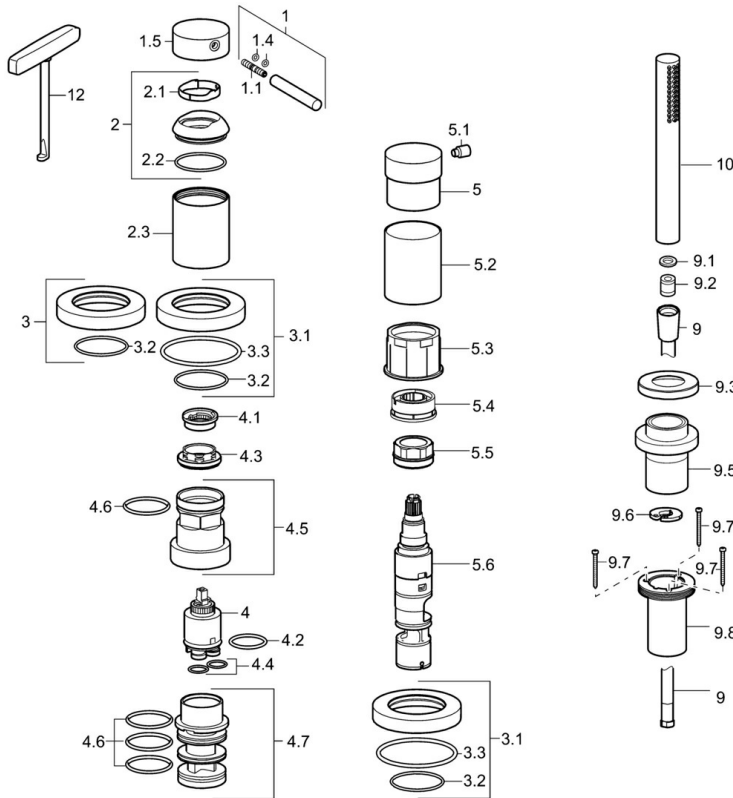


## Technical data

### Technical properties

Hot water supply	<b>max. +80°C</b>
Working pressure	<b>0.5-10 bar</b>
Backflow prevention (EN1717)	<b>EB</b>

## Spare parts



### SP53259073

	Name	Code
1	Lever, 70 mm	59913331
1.1	Screw, M5x35	59913299
1.4	O-ring, d 3x1.5	59913100
1.5	Cap	59913332
1.5	Cap Black Discontinued	59913333
1.5	Cap White Discontinued	59913334
2	Covering cap	59913364
2.1	Bearing ring	59913363
2.2	O-ring, d 38x2	59913212
2.3	Cover flange	59913448
3	Cover flange	59913449
3.1	Cover flange	59913450
3.3	O-ring, 60x3	59913280
4	Cartridge, 3.5 Eco	59912324
4	Cartridge, 3.5 Classic	59913075
4.1	Temperature adjustment limiter	59912325
4.2	O-ring, d 28.24x2.62 Discontinued	59912590
4.3	Tightening nut, M40x1	1003409V
4.4	O-ring, d 10.10x1.60 Discontinued	59905072
4.5	Eye screw, M52x1, AF38	59913274
4.6	O-ring, d 40x2	59911507
4.7	Adapter	59913282
5	Handle	59913345
5.1	Lever, 9 mm M6	59913348
5.2	Protective sleeve Discontinued	59913451
5.3	Ring	59913285
5.4	Flow limiter	59911897
5.5	Eye screw, M32x1.5	59911898
5.6	Diverter	59912269
9	Shower hose, L=1750, G1/2-M12x1	59912281
9.1	Gasket ring, d 21x12x2	59912304
9.2	Non-return valve	59905714
9.3	Cover flange, M70x1, d 72 mm	59913287
9.5	Holder	59913289
9.6	Disk	59912337
9.7	Screw, M4x45	59912291
9.8	Passing-through bushing	59913288
10	Hand shower	54390100
12	Tool	59906409
N.I.	Raising kit, 30 mm, HM 3.5 (-2015)	59913189
N.I.	Raising kit, 30 mm	59913190
N.I.	Extension screw kit, (2015-)	59914337