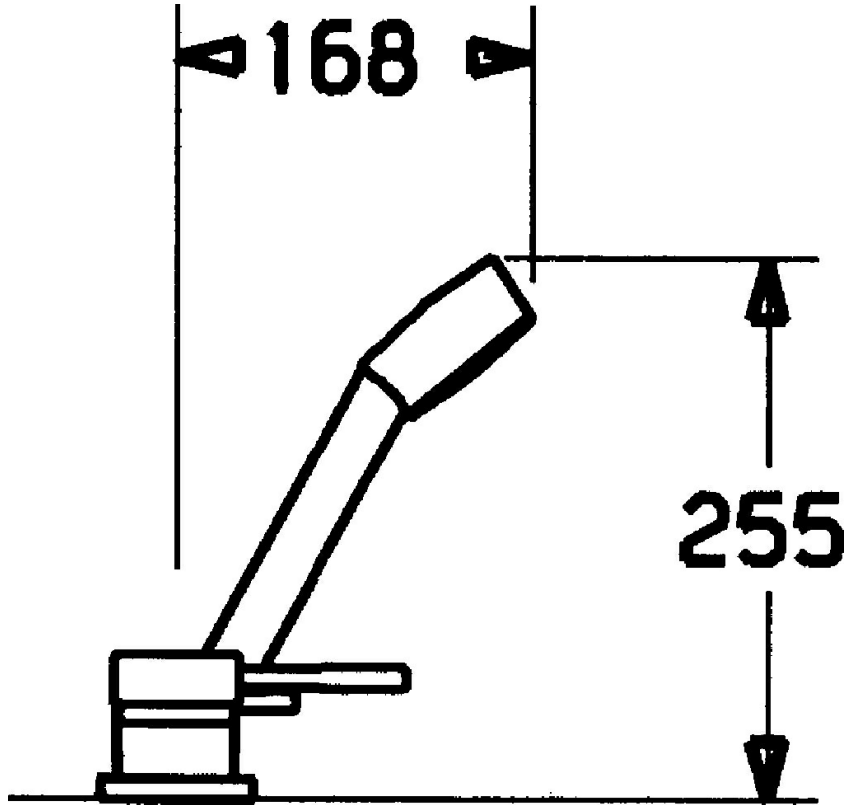


EAN: 4015474057111
static.hansa.com/53259031

- Bathtub & Shower
- Trim Kit, Single-lever
- Rim mounted
- Chrome
- Non-return valve(s)

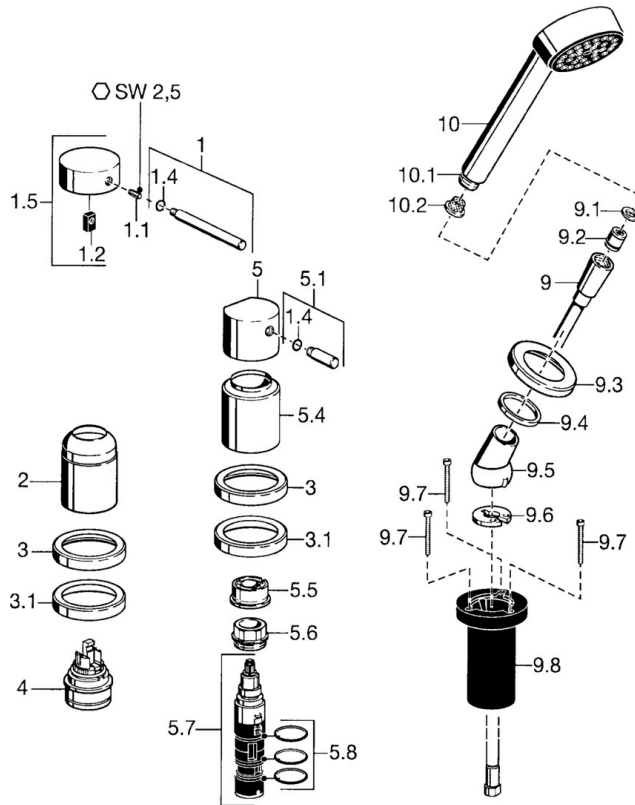


Technical data

Technical properties

Hot water supply	max. +80°C
Working pressure	0.5-10 bar
Backflow prevention (EN1717)	EB

Spare parts



SP53259031

	Name	Code
1	Lever, 80 mm Discontinued	59912122
1.1	Screw, M5x8, SW2.5	59904755
1.2	Bushing	59904778
1.4	O-ring, d 6x1	59912136
1.5	Covering cap Discontinued	59912143
2	Covering cap	59904820
3	Cover flange Discontinued	59912256
3.1	Cover flange	59912259
4	Cartridge, 4.8 eco	59904601
5	Handle	59912131
5.1	Lever, M8, 22 mm	59912132
5.4	Covering cap	59912265
5.5	Flow limiter	59911897
5.6	Eye screw, M32x1.5	59911898
5.7	Diverter	59912269
5.8	O-ring kit, d 24x2	59911835
9	Shower hose, L=1750, G1/2-M12x1	59912281
9.1	Gasket ring, d 21x12x2	59912304
9.2	Non-return valve	59905714
9.3	Cover flange, M70x1	59912287
9.4	Bearing ring	59912286
9.5	Holder	59912282
9.6	Disk	59912337
9.7	Screw, M4x45	59912291
9.8	Passing-through bushing	59912290
10	Hand shower Discontinued	51170200
10.1	Hose coupling, G1/2 Discontinued	59912237
10.2	Strainer	59906859
N.I.	Extension screw kit	59912169
N.I.	Raising kit, 20 mm	59912160
N.I.	Raising kit, 30 mm	59912235