

EAN: 4015474048232
static.hansa.com/53202031



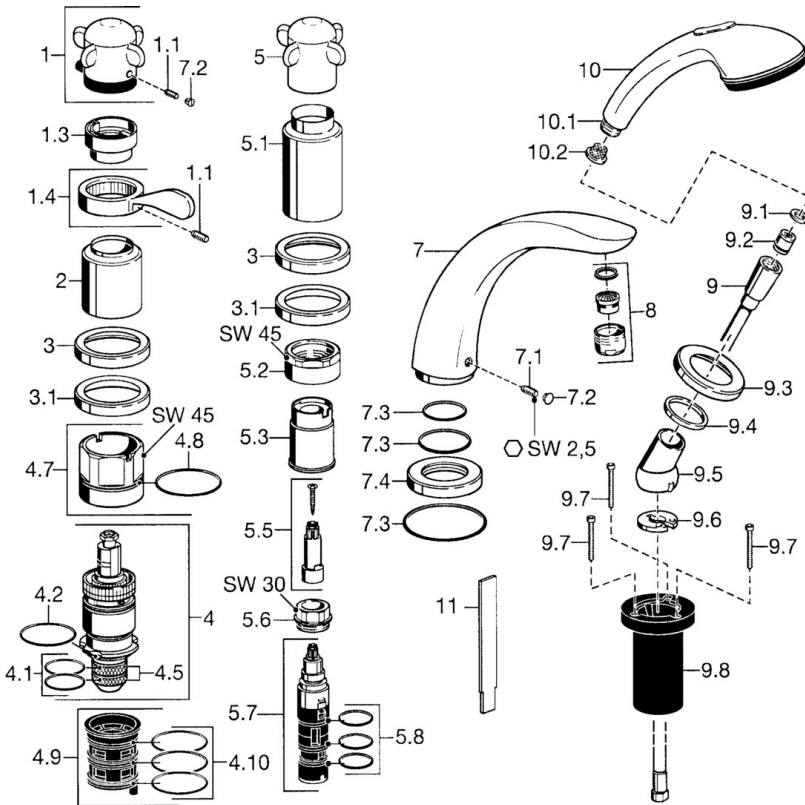
- Bathtub & Shower
- Trim Kit, Two-grip
- Rim mounted
- Chrome
- Non-return valve(s)

Technical data

Technical properties

Hot water supply	max. +80°C
Working pressure	0.5-10 bar
Backflow prevention (EN1717)	EB

Spare parts



SP53172031

Name	Code
1.1 Screw, M6x6	59912330
1.3 Temperature adjustment limiter	59906355
1.4 Lever	59905722
2 Covering cap Discontinued	59912327
3 Cover flange Discontinued	59912256
3.1 Cover flange	59912259
4 Thermostatic cartridge, G1/2	59904501
4.1 O-ring, d 27x2	59901532
4.2 O-ring, 35x2.5	59905020
4.5 Strainer, 0.16 mm Discontinued	59905036
4.7 Eye screw, M52x1, SW 50	59911516
4.8 O-ring, 50.52x1.78	59906841
4.9 Adapter	59911514
4.10 O-ring, d 40x2	59911507
5.1 Spout, L=240	59912273
5.1 Covering cap Discontinued	59912310
5.2 Eye screw, M42x1, SW45 Discontinued	59912321
5.3 Retaining ring Discontinued	59912320
5.5 Spindle Discontinued	59912319
5.6 Eye screw, M32x1.5	59911898
5.7 Diverter	59912269
5.8 O-ring kit, d 24x2	59911835
7 Spout, L=240	59912273
7 Spout, L=185	59912270
7.1 Screw, M6x16, SW 2.5	59910120
7.2 Cover plug	59911840
7.3 Sealing kit	59912276
7.4 Cover flange	59912278
8 Aerator, M28x1 D	59907198
9 Shower hose, L=1750, G1/2-M12x1	59912281
9.1 Gasket ring, d 21x12x2	59912304
9.2 Non-return valve	59905714
9.3 Cover flange, M70x1	59912287
9.4 Bearing ring	59912286
9.5 Holder	59912282
9.6 Disk	59912337
9.7 Screw, M4x45	59912291
9.8 Passing-through bushing	59912290
10 Hand shower Discontinued	04320100
10 Hand shower Chrome/Gold Discontinued	599043390
10.1 Hose coupling, G1/2 Discontinued	59912237
10.2 Strainer	59906859
11 Tool Discontinued	59912277