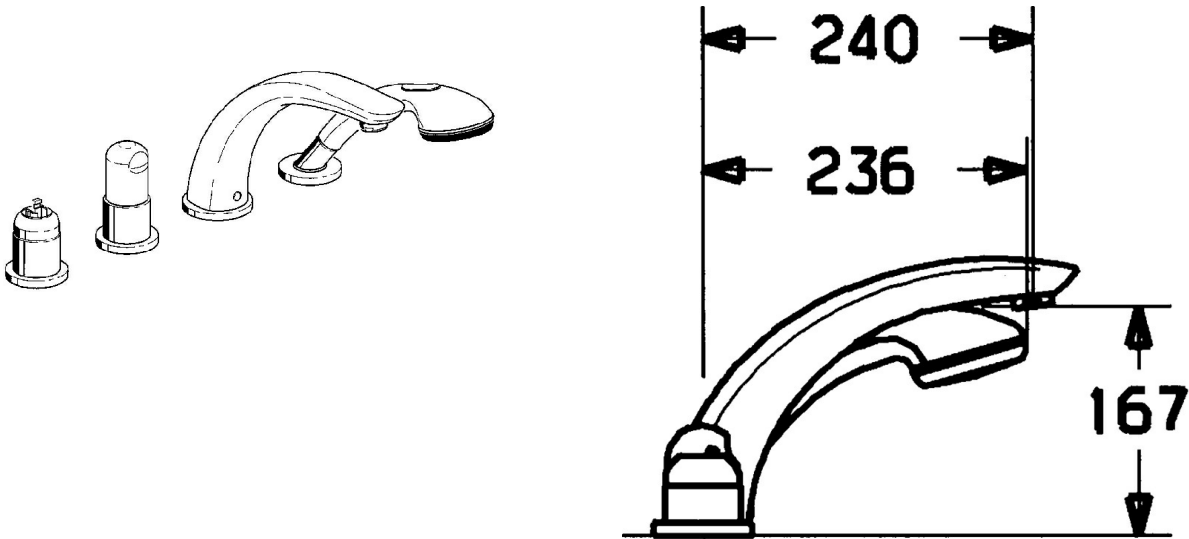


EAN: 4015474048065  
[static.hansa.com/5318203082](https://static.hansa.com/5318203082)

- Bathtub & Shower
- Trim Kit, Two-grip
- Rim mounted
- White
- Non-return valve(s)

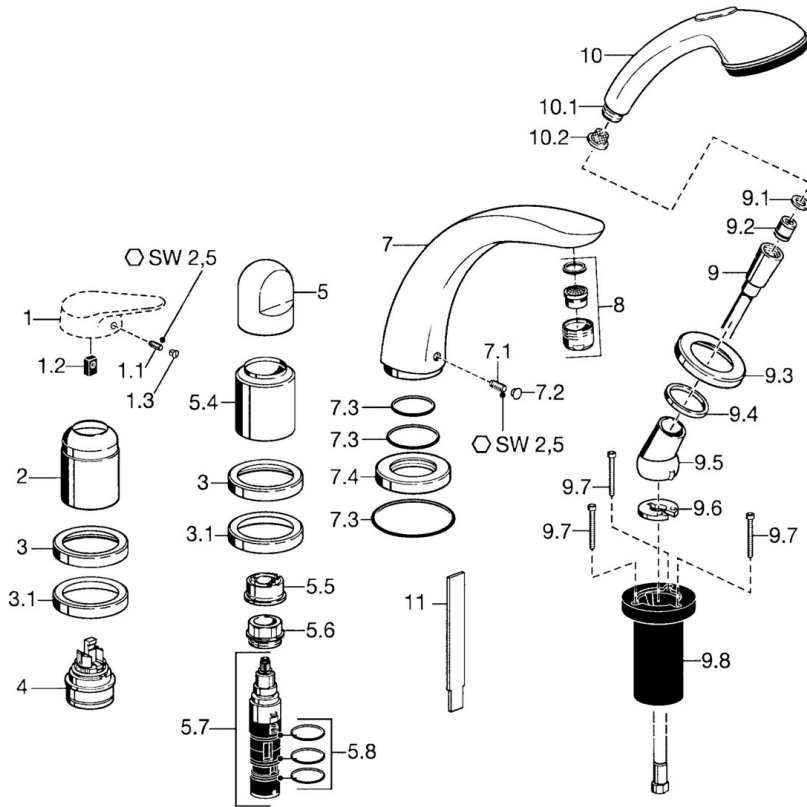


## Technical data

### Technical properties

Hot water supply	max. +80°C
Working pressure	0.5-10 bar
Backflow prevention (EN1717)	EB

## Spare parts



### SP53182030

	Name	Code
1.1	Screw, M5x8, SW2.5	59904755
1.2	Bushing	59904778
1.3	Plug, hot/cold	59906705
2	Covering cap	59904820
2	Covering cap White Discontinued	59905521
3	Cover flange Discontinued	59912256
3.1	Cover flange	59912259
4	Cartridge, 4.8 eco	59904601
5	Handle	59912262
5.4	Covering cap	59912265
5.5	Flow limiter	59911897
5.6	Eye screw, M32x1.5	59911898
5.7	Diverter	59912269
5.8	O-ring kit, d 24x2	59911835
7	Spout, L=240	59912273
7.1	Screw, M6x16, SW 2.5	59910120
7.2	Plug Chrome/Satin Discontinued	59911917
7.2	Cover plug	59911840
7.3	Sealing kit	59912276
7.4	Cover flange	59912278
8	Aerator, M28x1 D	59907198
9	Shower hose, L=1750, G1/2-M12x1	59912281
9.1	Gasket ring, d 21x12x2	59912304
9.2	Non-return valve	59905714
9.3	Cover flange, M70x1 Chrome/Satin Discontinued	59912288
9.3	Cover flange, M70x1	59912287
9.4	Bearing ring	59912286
9.5	Holder	59912282
9.6	Disk	59912337
9.7	Screw, M4x45	59912291
9.8	Passing-through bushing	59912290
10	Hand shower Chrome/Gold Discontinued	599043390
10	Hand shower Chrome/Satin Discontinued	599043392
10	Hand shower Discontinued	04320100
10.1	Hose coupling, G1/2 Discontinued	59912237
10.2	Strainer	59906859
11	Tool Discontinued	59912277
N.I.	Raising kit, 30 mm	59912163
N.I.	Raising kit, 30 mm	59912235
N.I.	Extension screw kit	59912169
N.I.	Raising kit, 20 mm	59912160