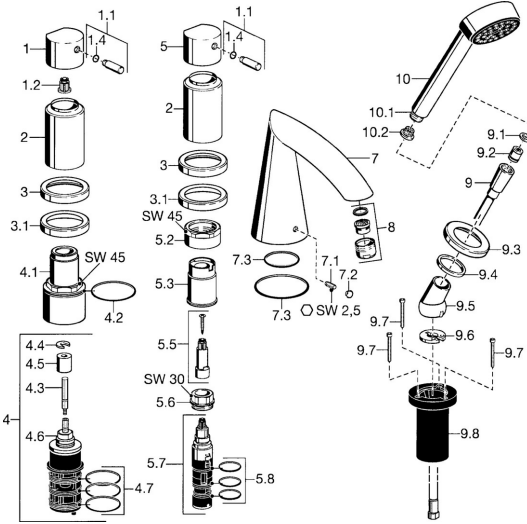


EAN: 4015474047945  
[static.hansa.com/53162032](http://static.hansa.com/53162032)



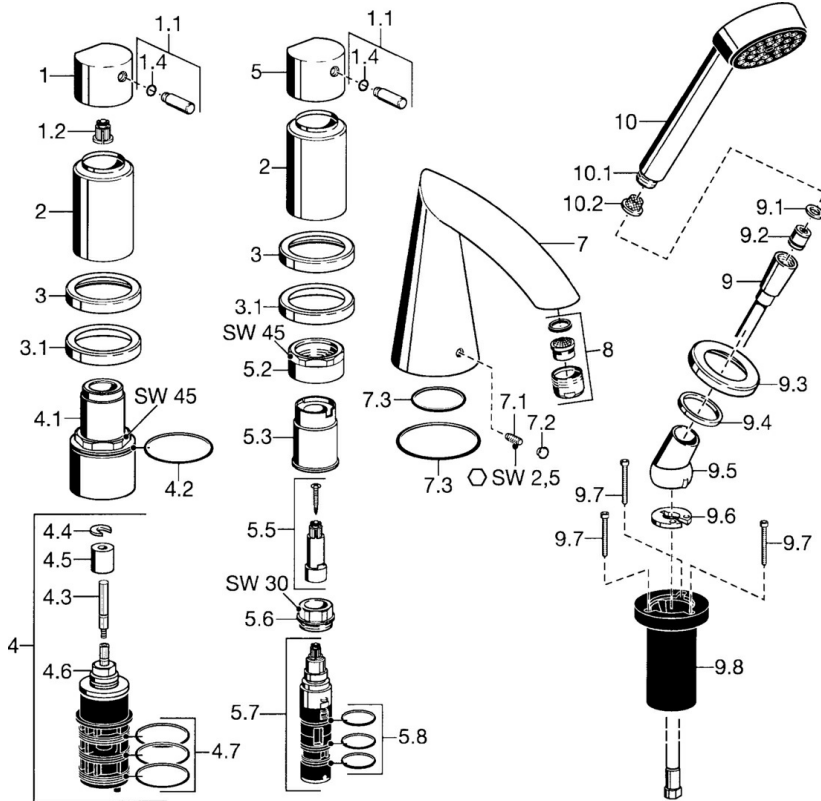
- Bathtub & Shower
- Trim Kit, Two-grip
- Rim mounted
- Chrome
- Non-return valve(s)

## Technical data

### Technical properties

Hot water supply	<b>max. +80°C</b>
Working pressure	<b>0.5-10 bar</b>
Backflow prevention (EN1717)	<b>EB</b>

## Spare parts



### SP53162032

	Name	Code
1	Handle	59912131
1.1	Lever, M8, 22 mm	59912132
1.2	Adapter White	59910235
1.4	O-ring, d 6x1	59912136
2	Covering cap Discontinued	59912308
3	Cover flange Discontinued	59912256
3.1	Cover flange	59912259
4.1	Eye screw, M52x1, SW45 Discontinued	59912315
4.2	O-ring, 50.52x1.78	59906841
4.3	Spindle, M4 Discontinued	59912317
4.4	Ring	59910694
4.5	Adapter	59912318
4.6	Valve	59912098
4.7	O-ring, d 40x2	59911507
5.2	Eye screw, M42x1, SW45 Discontinued	59912321
5.3	Retaining ring Discontinued	59912320
5.5	Spindle Discontinued	59912319
5.6	Eye screw, M32x1.5	59911898
5.7	Diverter	59911834
5.8	O-ring kit, d 24x2	59911835
7	Spout, L=184 Discontinued	59912298
7.1	Screw, M6x16, SW 2.5	59910120
7.2	Cover plug	59911840
7.3	Sealing kit	59912276
9	Shower hose, L=1750, G1/2-M12x1	59912281
9.1	Gasket ring, d 21x12x2	59912304
9.2	Non-return valve	59905714
9.3	Cover flange, M70x1	59912287
9.4	Bearing ring	59912286
9.5	Holder	59912282
9.6	Disk	59912337
9.7	Screw, M4x45	59912291
9.8	Passing-through bushing	59912290
10	Hand shower Discontinued	51170200
10.1	Hose coupling, G1/2 Discontinued	59912237
10.2	Strainer	59906859
11	Tool Discontinued	59912277