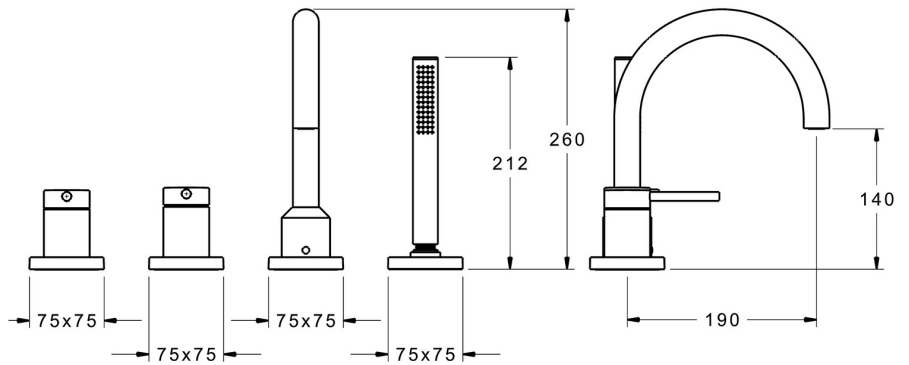
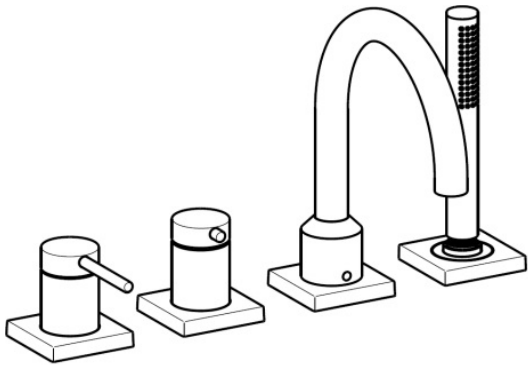


EAN: 4015474276994
static.hansa.com/53122093



- Bathtub & Shower
- Trim Kit, Single-lever
- Rim mounted
- Chrome
- Standard aerator
- Pin shape, Single operating lever/handle, Hot/Cold symbols
- Shower hose (1750 mm)
- Intense - invigorating water stream
- Litter filter(s), Non-return valve(s)
- Anti-twist hose connector
- Square rosette
- 1 spray function



Technical data

Flow properties

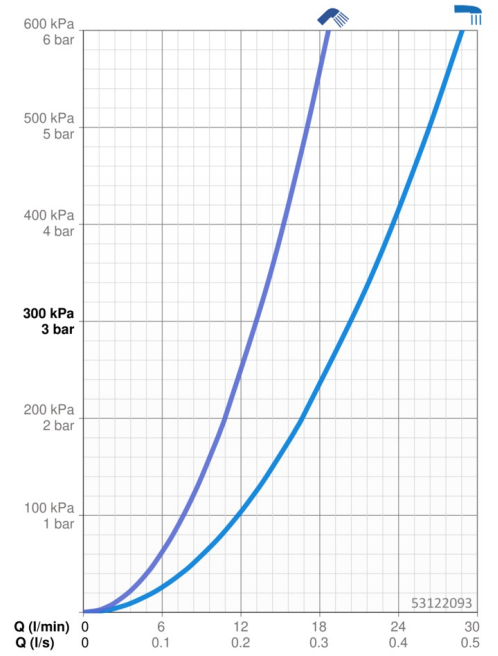
Flow-rate at 3 bar **20.4 / 13.2 l/min**

Technical properties

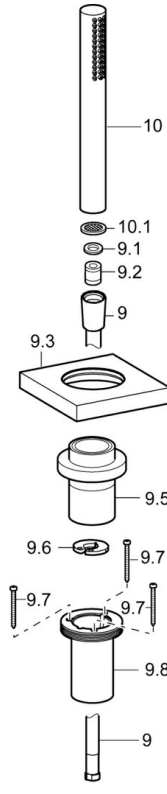
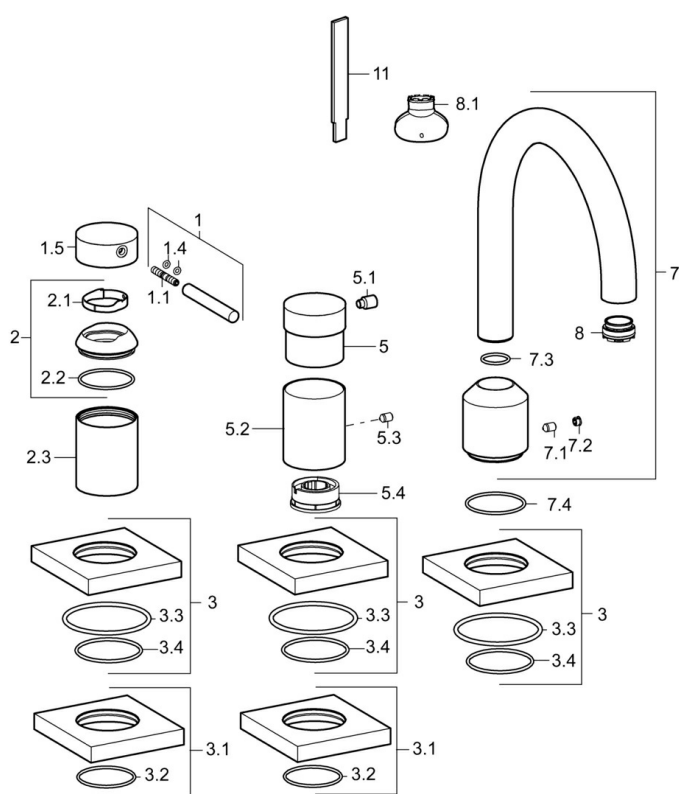
Hot water supply **max. +80°C**
 Working pressure **0.5-10 bar**
 Projection **190 mm**
 Backflow prevention (EN1717) **EB**

Regulations

EN standard **EN 817, EN 1112, EN 1113**



Spare parts



SP53122093

	Name	Code
1	Lever, 70 mm	59913331
1.1	Screw, M5x35	59913299
1.4	O-ring, d 3x1.5	59913100
1.5	Cap	59913332
2	Covering cap	59913364
2.1	Bearing ring	59913363
2.2	O-ring, d 38x2	59913212
2.3	Cover flange	59913448
3	Cover flange, 75x75 mm	59914209
3.1	Cover flange, 75x75 mm	59914212
3.3	O-ring, 60x3	59913280
3.4	O-ring, d 40x2	59911507
5	Handle	59913345
5.1	Lever, 9 mm M6	59913348
5.2	Cover sleeve Discontinued	59914210
5.3	Screw, M4x4	59901027
5.4	Flow limiter	59911897
7	Spout, L=190	59913452
7.1	Screw, M6x9.5	59901609
7.2	Cover plug	59911840
7.3	O-ring, d 18x2	59913291
7.4	O-ring, 41x2 Discontinued	59913281
8	Aerator, M24x1 STD D CC-XT	59913760
8.1	Key for aerator, M24x1	59913134
9	Shower hose, L=1750, G1/2-M12x1	59912281
9.1	Gasket ring, d 21x12x2	59912304
9.2	Non-return valve	59905714
9.3	Cover flange, 75x75 mm	59913879
9.5	Holder	59913289
9.6	Disk	59912337
9.7	Screw, M4x45	59912291
9.8	Passing-through bushing	59913288
10	Hand shower	54390100
10.1	Flow limiter	59912777
11	Tool Discontinued	59912277
N.I.	Raising kit, 30 mm, HM 3.5 (-2015)	59913189
N.I.	Raising kit, 30 mm	59913190
N.I.	Extension screw kit, (2015-)	59914337