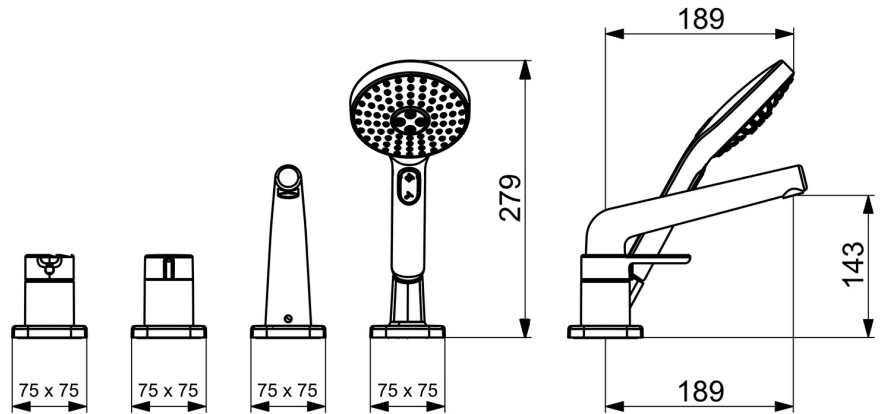
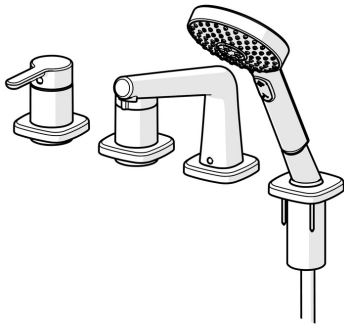


EAN: 4057304007026
static.hansa.com/53122083

trim kit single-lever mixer

- Bathtub & Shower
- Trim Kit, Single-lever
- Rim mounted
- Chrome
- Single operating lever/handle, Hot/Cold symbols, Flow control handle
- Turn operated diverter, Integrated into flow control handle
- Hand shower, Shower hose (1750 mm)
- Pulsating - Strong water stream for massage or body treatment, Intense - invigorating water stream, Sensitive - Gentle water stream
- Non-return valve(s)
- Soft edge rosette, Sleeve
- 3 spray functions



Technical data

Flow properties

Flow-rate at 3 bar	20.4 / 13.2 l/min
Pressure loss with flow (0.3 l/s)	3 bar

Technical properties

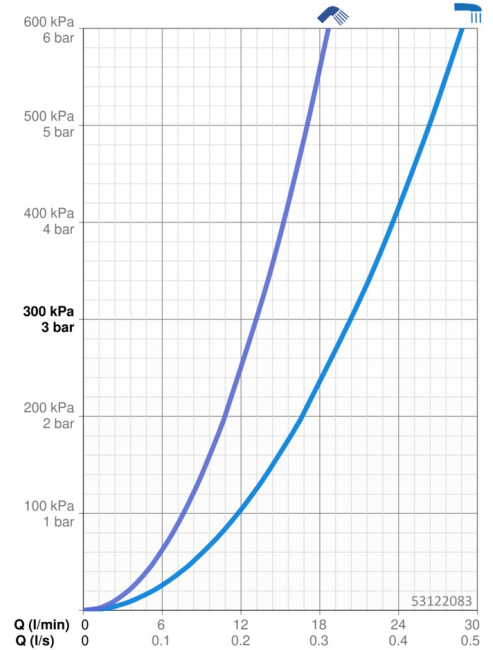
DN-size (nominal dimension)	DN15
Hot water supply	max. +65°C
Working pressure	0.5-10 bar
Projection	189 mm
Backflow prevention (EN1171)	EB
Material	Brass

Regulations

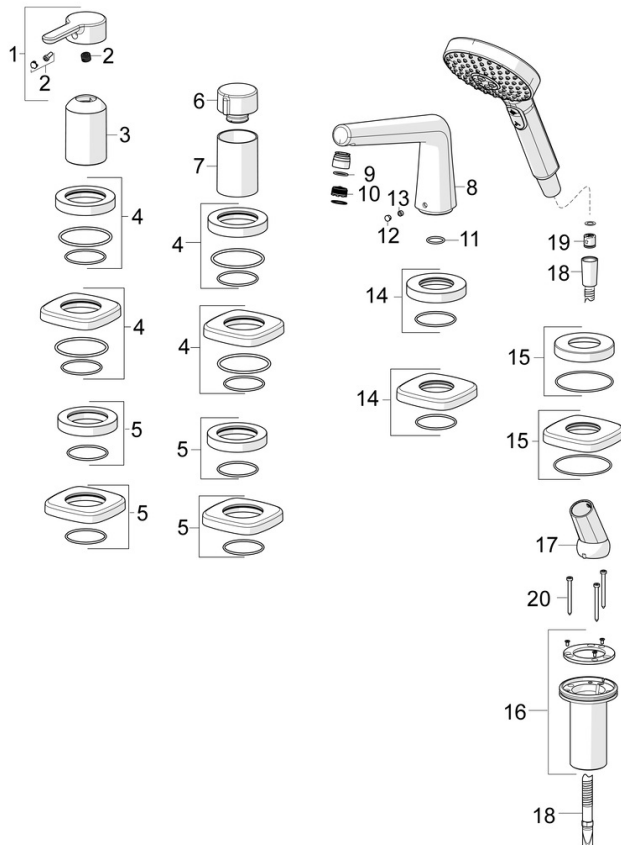
EN standard	EN 817, EN 1112, EN 1113
Noise class	I (ISO 3822)

Approvals and Declarations

Declaration of conformity	DoC
---------------------------	------------



Spare parts



SP53122083

	Name	Code
01	Lever	59914574
02	Symbol plug	59914573
03	Cover sleeve	59914572
04	Cover plate, d 72 mm, for Compact	59914667
04	Cover plate, 75x75 mm, for Compact Discontinued	59914675
05	Cover plate, d 72 mm	59914668
05	Cover plate, 75x75 mm Discontinued	59914676
06	Flow control handle	59914669
07	Cover sleeve	59914671
08	Spout Discontinued	59914674
09	Fitting ring for aerator	59914645
10	Aerator, M18.5x1	59914662
11	O-ring, d 18x2	59913291
12	Cover plug	59911840
13	Screw, M6x5, SW3	59912916
14	Cover plate, 75x75 mm Discontinued	59914678
14	Cover plate, d 72 mm Discontinued	59913278
15	Cover plate, 75x75 mm Discontinued	59914677
15	Cover plate, d 72 mm	59914672
16	Passing-through bushing	59914673
17	Holder	59912282
18	Shower hose, L=1750, G1/2-M12x1	59912281
19	Non-return valve	59905714
20	Screw, M4x45	59912291