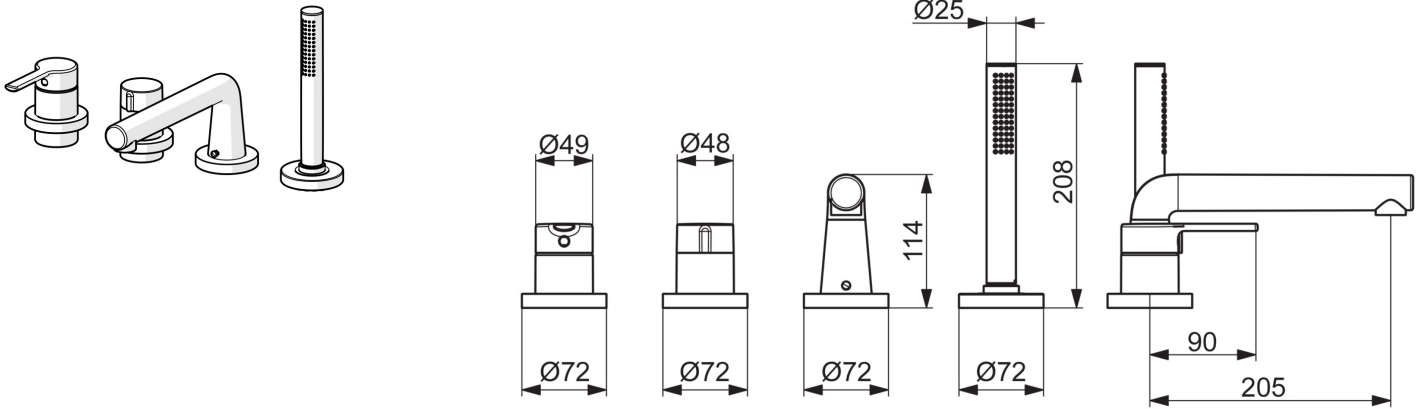


EAN: 4057304007019  
[static.hansa.com/53122063](https://static.hansa.com/53122063)



trim kit single-lever mixer

- Bath tub & Shower
- Trim Kit, Single-lever
- Rim mounted
- Chrome
- Casted construction
- Hidden aerator
- Single operating lever/handle, Hot/Cold symbols, Flow control handle
- Turn operated diverter, Integrated into flow control handle
- Hand shower, Shower hose (1750 mm)
- Intense - invigorating water stream
- Limitation option for maximum temperature and flow-rate
- Non-return valve(s)
- Round rosette, Sleeve
- 1 spray function



## Technical data

### Flow properties

Flow-rate at 3 bar	<b>20.4 / 13.2 l/min</b>
Pressure loss with flow (0.3 l/s)	<b>3 bar</b>

### Technical properties

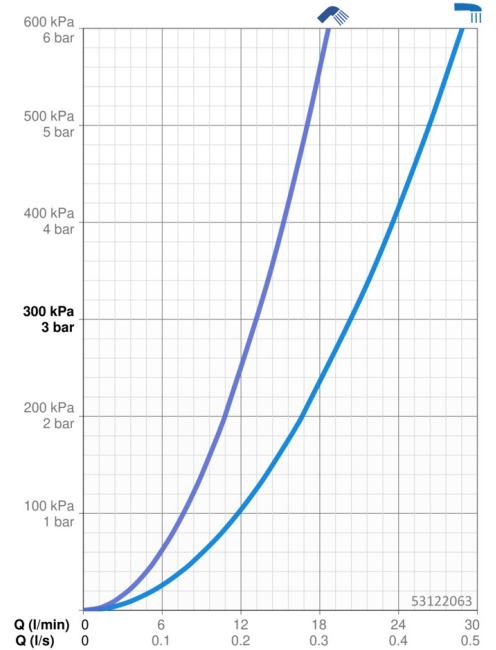
DN-size (nominal dimension)	<b>DN15</b>
Hot water supply	<b>max. +65°C</b>
Working pressure	<b>0.5-10 bar</b>
Projection	<b>190 mm</b>
Backflow prevention (EN1171)	<b>EB</b>
Material	<b>Brass</b>

### Regulations

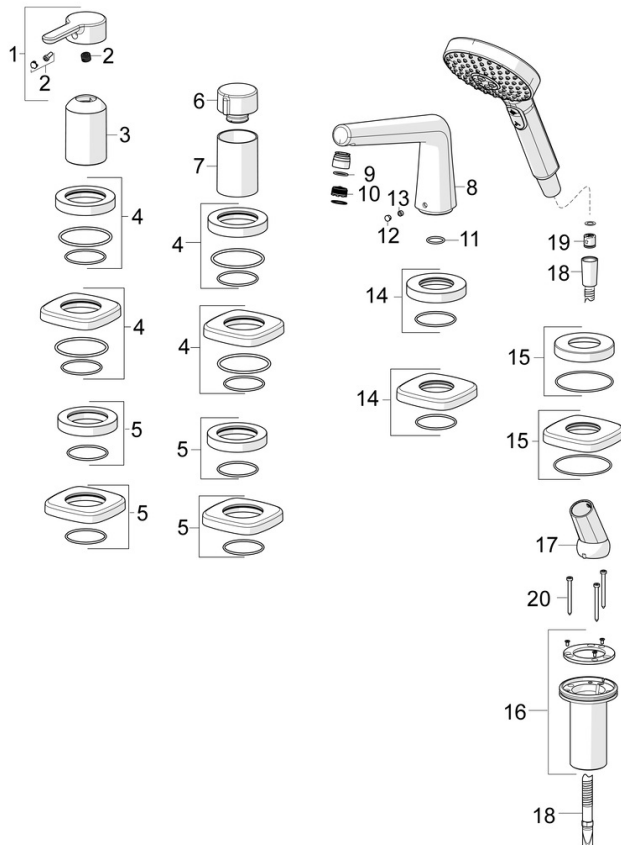
EN standard	<b>EN 817, EN 1112, EN 1113</b>
Noise class	<b>I (ISO 3822)</b>

### Approvals and Declarations

Declaration of conformity	<b>DoC</b>
---------------------------	------------



## Spare parts



### SP53122083

	Name	Code
01	Lever	59914574
02	Symbol plug	59914573
03	Cover sleeve	59914572
04	Cover plate, d 72 mm, for Compact	59914667
04	Cover plate, 75x75 mm, for Compact Discontinued	59914675
05	Cover plate, d 72 mm	59914668
05	Cover plate, 75x75 mm Discontinued	59914676
06	Flow control handle	59914669
07	Cover sleeve	59914671
08	Spout Discontinued	59914674
09	Fitting ring for aerator	59914645
10	Aerator, M18.5x1	59914662
11	O-ring, d 18x2	59913291
12	Cover plug	59911840
13	Screw, M6x5, SW3	59912916
14	Cover plate, 75x75 mm Discontinued	59914678
14	Cover plate, d 72 mm Discontinued	59913278
15	Cover plate, 75x75 mm Discontinued	59914677
15	Cover plate, d 72 mm	59914672
16	Passing-through bushing	59914673
17	Holder	59912282
18	Shower hose, L=1750, G1/2-M12x1	59912281
19	Non-return valve	59905714
20	Screw, M4x45	59912291