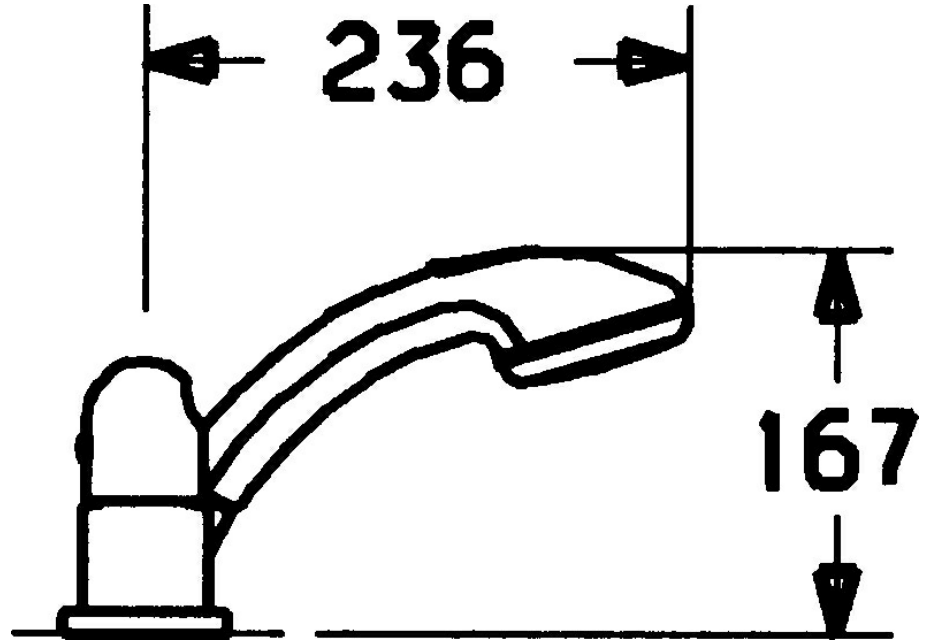


EAN: 4015474048485
static.hansa.com/5311903590

- Bathtub & Shower
- Trim Kit, Two-grip
- Rim mounted
- Chrome/Gold
- Flow control handle
- Non-return valve(s)

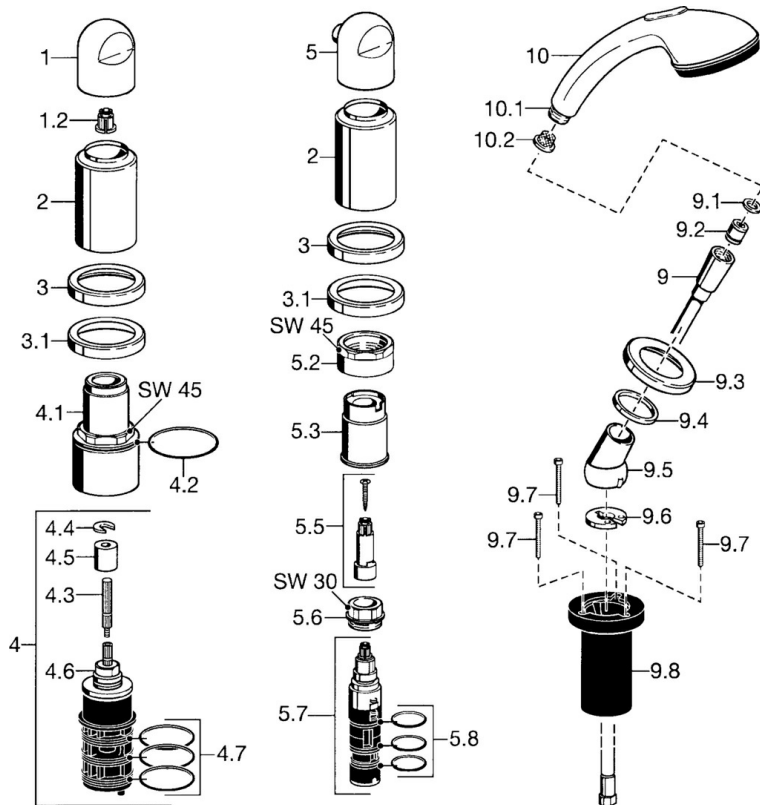


Technical data

Technical properties

Hot water supply	max. +80°C
Working pressure	0.5-10 bar
Backflow prevention (EN1717)	EB

Spare parts



SP53119035

	Name	Code
1	Handle	59912262
1.2	Adapter White	59910235
2	Covering cap Gold Discontinued	59912309
2	Covering cap Discontinued	59912308
3	Cover flange Discontinued	59912256
3.1	Cover flange	59912259
4.1	Eye screw, M52x1, SW45 Discontinued	59912315
4.2	O-ring, 50.52x1.78	59906841
4.3	Spindle, M4 Discontinued	59912317
4.4	Ring	59910694
4.5	Adapter	59912318
4.6	Valve	59912098
4.7	O-ring, d 40x2	59911507
5	Flow control handle Discontinued	59912312
5.2	Eye screw, M42x1, SW45 Discontinued	59912321
5.3	Retaining ring Discontinued	59912320
5.5	Spindle Discontinued	59912319
5.6	Eye screw, M32x1.5	59911898
5.7	Diverter	59911834
5.8	O-ring kit, d 24x2	59911835
9	Shower hose, L=1750, G1/2-M12x1	59912281
9.1	Gasket ring, d 21x12x2	59912304
9.2	Non-return valve	59905714
9.3	Cover flange, M70x1	59912287
9.4	Bearing ring	59912286
9.5	Holder	59912282
9.6	Disk	59912337
9.7	Screw, M4x45	59912291
9.8	Passing-through bushing	59912290
10	Hand shower Discontinued	04320100
10	Hand shower Chrome/Gold Discontinued	599043390
10.1	Hose coupling, G1/2 Discontinued	59912237
10.2	Strainer	59906859
N.I.	Extension screw kit	59912169
N.I.	Raising kit, 30 mm Discontinued	59912161
N.I.	Raising kit, 30 mm	59912235