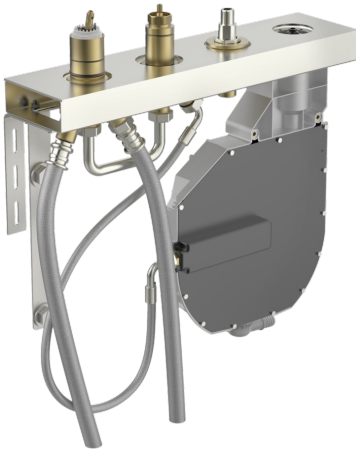
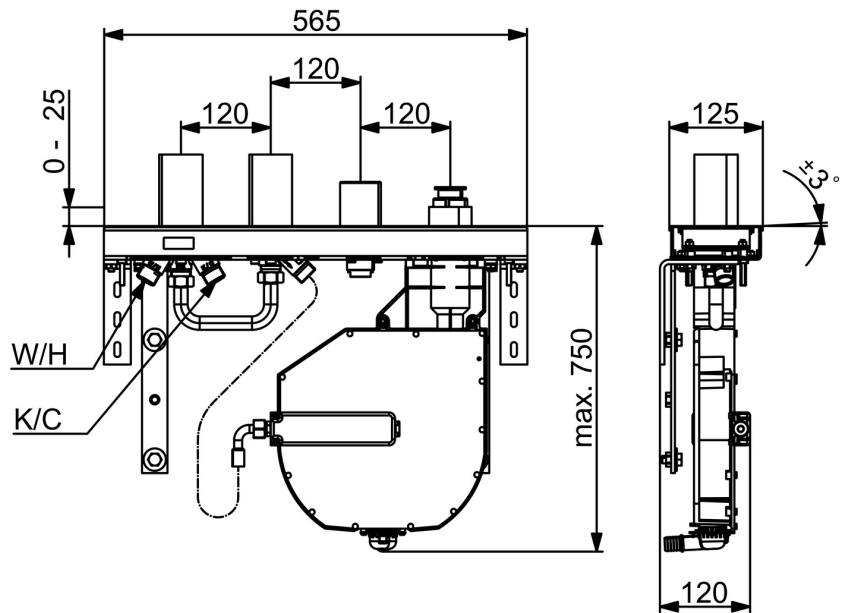
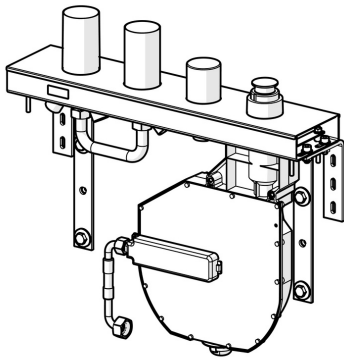


EAN: 4057304007187
static.hansa.com/53080300



- Bath tub & Shower
- Concealed unit
- Tiled rim assembly
- Turn operated diverter
- Limitation option for maximum temperature and flow-rate, Adjustable hot water stop (included, retrofittable)
- \varnothing 40 mm ceramic cartridge for flow and temperature control
- Flexible inlet pipes
- ROLLBOX with automatic hose wind
- protected against back-flow in domestic use (according to DIN EN 1717)



Technical data

Technical properties

DN-size (nominal dimension)	DN20
Hot water supply	max. +70°C
Working pressure	0.5-10 bar
Connection size	G3/4
Backflow prevention (EN1717)	EB
Material	Brass

Regulations

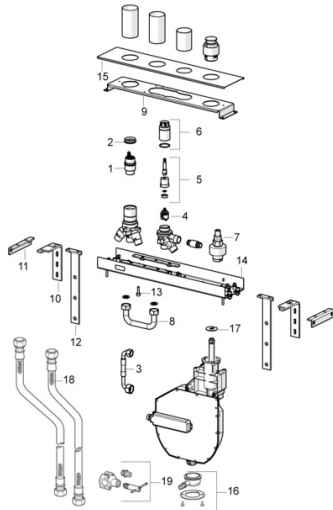
EN standard	EN 817
-------------	---------------

Approvals and Declarations

Declaration of conformity	DoC
---------------------------	------------

Spare parts

SP53080300



	Name	Code
01	Cartridge, 4.0 Classic	59914129
02	Tightening nut, M42x1.5, SW 38	59914128
03	Hose, G3/4xG1/2, L=650	59912693
04	Diverter	59914183
05	Spindle	1003510V
06	Screw sleeve, M36x1.5, SW30	59914696
07	Adapter body	59912362
08	Coupling pipe, G3/4 Discontinued	59912363
09	Angle coupling Discontinued	59912373
10	Angle coupling Discontinued	59912375
11	Angle coupling Discontinued	59912376
12	Fixing part Discontinued	59912377
13	Screw, M8x16, SW7 Discontinued	59912369
14	Body Discontinued	59912372
15	Cover plate Discontinued	59912378
16	Connector	59912351
17	Disk	59912337
18	Flexible pipe, L=1000, G3/4xG3/4	59912246
19	Connector	59910573
N.I.	Roll box for hose	53060200
N.I.	Raising kit, 30 mm	59914626
N.I.	Raising kit, 30 mm	59914627