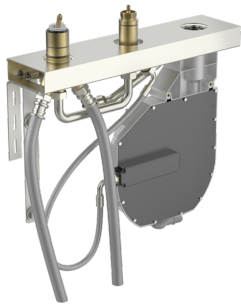
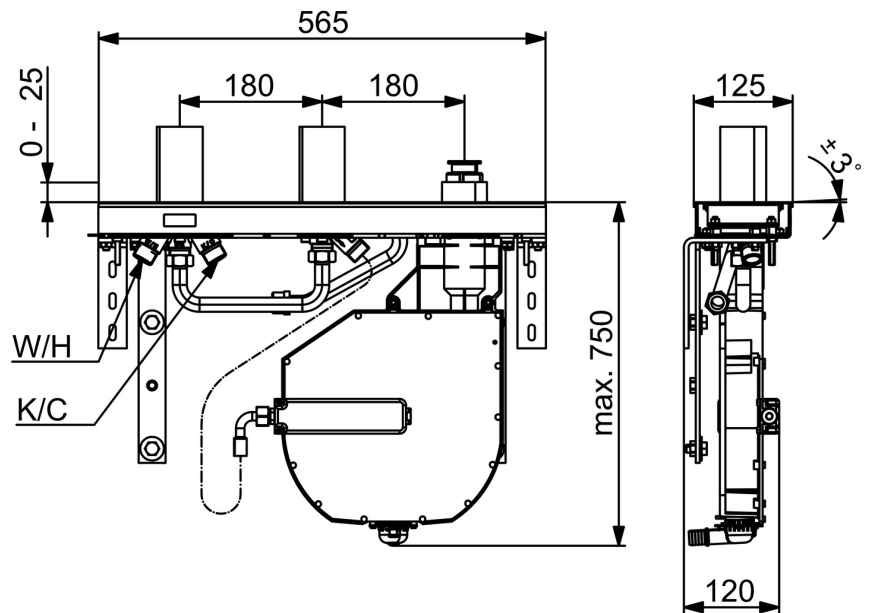
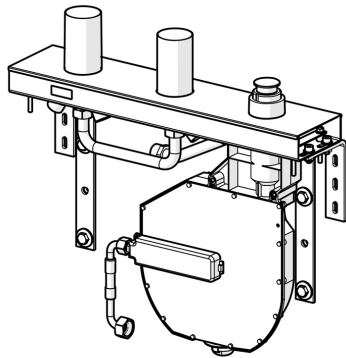


EAN: 4057304007217  
[static.hansa.com/53070300](https://static.hansa.com/53070300)



- Bathtub & Shower
- Concealed unit
- Tiled rim assembly
- Chrome
- Turn operated diverter
- Limitation option for maximum temperature and flow-rate, Adjustable hot water stop (included, retrofittable)
- $\phi$  40 mm ceramic cartridge for flow and temperature control
- Flexible inlet pipes
- ROLLBOX with automatic hose wind
- protected against back-flow in domestic use (according to DIN EN 1717)



## Technical data

### Technical properties

DN-size (nominal dimension)	<b>DN20</b>
Hot water supply	<b>max. +70°C</b>
Working pressure	<b>0.5-10 bar</b>
Connection size	<b>G3/4</b>
Backflow prevention (EN1717)	<b>EB</b>
Material	<b>Brass</b>

### Regulations

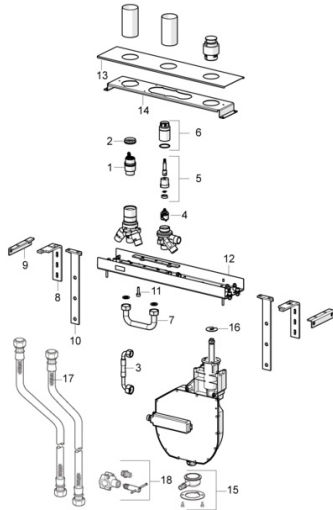
EN standard	<b>EN 817</b>
-------------	---------------

### Approvals and Declarations

Declaration of conformity	<b>DoC</b>
---------------------------	------------

## Spare parts

### SP53070300



	Name	Code
01	Cartridge, 4.0 Classic	59914129
02	Tightening nut, M42x1.5, SW 38	59914128
03	Hose, G3/4xG1/2, L=650	59912693
04	Diverter	59914183
05	Spindle	1003510V
06	Screw sleeve, M36x1.5, SW30	59914696
07	Pipe, G3/4 Discontinued	59912367
08	Angle coupling Discontinued	59912375
09	Angle coupling Discontinued	59912376
10	Fixing part Discontinued	59912377
11	Screw, M8x16, SW7 Discontinued	59912369
12	Body Discontinued	59912372
13	Cover Discontinued	59912371
14	Angle coupling Discontinued	59912373
15	Connector	59912351
16	Disk	59912337
17	Flexible pipe, L=1000, G3/4xG3/4	59912246
18	Connector	59910573
N.I.	Roll box for hose	53060200
N.I.	Raising kit, 30 mm	59914626
N.I.	Raising kit, 30 mm	59914627