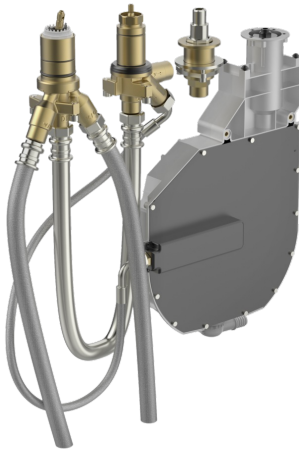
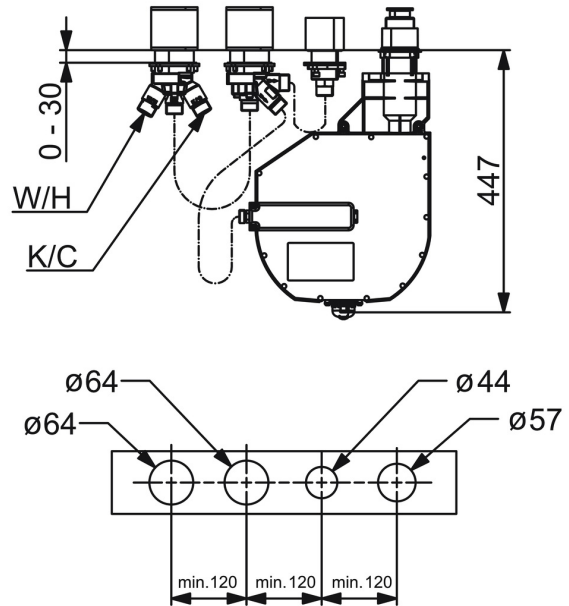
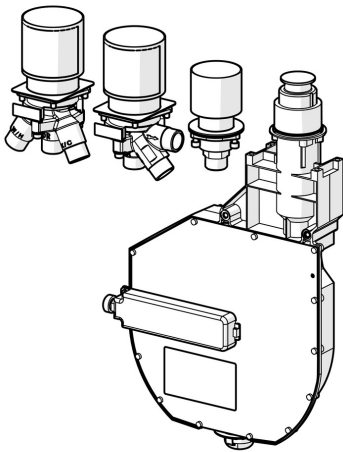


EAN: 4057304007170  
[static.hansa.com/53040300](http://static.hansa.com/53040300)



- Bathtub & Shower
- Concealed unit
- Rim mounted
- Chrome
- Turn operated diverter
- Limitation option for maximum temperature and flow-rate, Adjustable hot water stop (included, retrofittable)
- $\varnothing$  40 mm ceramic cartridge for flow and temperature control
- Flexible inlet pipes
- ROLLBOX with automatic hose wind
- protected against back-flow in domestic use (according to DIN EN 1717)



## Technical data

### Technical properties

DN-size (nominal dimension)	<b>DN20</b>
Hot water supply	<b>max. +70°C</b>
Working pressure	<b>0.5-10 bar</b>
Connection size	<b>G3/4</b>
Backflow prevention (EN1717)	<b>EB</b>
Material	<b>Brass</b>

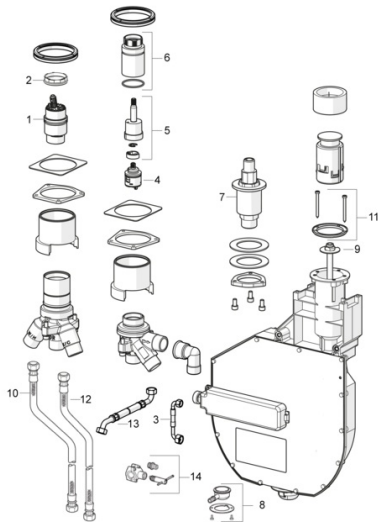
### Regulations

EN standard	<b>EN 817</b>
-------------	---------------

### Approvals and Declarations

Declaration of conformity	<b>DoC</b>
---------------------------	------------

## Spare parts



### SP53040300

	<b>Name</b>	<b>Code</b>
01	Cartridge, 4.0 Classic	59914129
02	Tightening nut, M42x1.5, SW 38	59914128
03	Hose, G3/4xG1/2, L=650	59912693
04	Diverter	59914183
05	Spindle	1003510V
06	Screw sleeve, M36x1.5, SW30	59914696
07	Spout Discontinued	59912355
08	Connector	59912351
09	Disk	59912337
10	Flexible pipe, L=1000, G3/4xG3/4	59912246
11	Retaining ring	59912353
12	Flexible pipe, L=800, G3/4xG3/4	59912247
13	Flexible pipe, L=995, G3/4xG3/4	59912248
14	Connector	59910573
N.I.	Roll box for hose	53060200
N.I.	Raising kit, 30 mm	59914626
N.I.	Raising kit, 30 mm	59914627